



PASSIVE COMPONENTS FOR MOBILE NETWORKS

Product Catalogue

RCD Radiokomunikace spol. s r. o. | U Pošty 26, 533 52 Staré Hradiště – Pardubice | Czech Republic
phone: +420 466 415 755 | Sales Department E-mail: sales@rcd.cz | www.rcd.cz





Classification

- ✧ Antenna System
- ✧ In-Building System

Guidance

ANTENNA SYSTEM			
Type No.	Product Name	Frequency Range [MHz]	Page
XF8825D/E	Dual-band Combiner	1710-1880/1920-2170	6
XF8826D/E	Dual-band Combiner	146-960/1710-2690	7
XF8827D/E	Tri-band Combiner	380-960/1710-2170/2500-2690	8
XF8828D/E	Tri-band Combiner	380-960/1710-1880/1920-2170	9
XF8829D/E	Tri-band Combiner	1710-1880/1920-2170/2500-2690	10
XF8886D/E	Quad-band Combiner	380-960/1710-1880/1920-2170/2300-2690	11
XF1174D/E	Quint-band Combiner	791-862/880-960/1710-1880/1920-2170/2500-2690	12
XF8921D/E	Dual-band Combiner	790-862/880-960	13
XF8923D/E	Dual-band Combiner	1710-1880/2500-2690	14
XF7125D	Dual Band GSM900 Filter	890-915 & 935-960	15



IN-BUILDING SYSTEM			
Type No.	Product Name	Frequency Range (MHz)	Page
XF8078N	Dual-band Combiner	889-954&1710-2025/2300-2400	18
XF8800N	Dual-band Combiner	889-954&1710-2025&2300-2380/2400-2500	19
XF8769N	Tri-band Combiner	889-954&1710-2025/2300-2400/2575-2635	20
XF8771N	Tri-band Combiner	889-954/1710-1830/1880-2025&2300-2400	21
XF8772N	Tri-band Combiner	889-954&1710-1830/1880-2025/2300-2400	22
XF8802N	Tri-band Combiner	889-954&1710-1830/1880-2025/2575-2635	23
XF8803N	Quad-band Combiner	889-954/1710-1830/1880-2025/2575-2635	24
XF8808N	Dual-band Combiner	1710-1880/1920-2170	25
XF8809N	Tri-band Combiner	791-960/1710-1880/1920-2170	26
XF8810N	Dual-band Combiner	791-960/1710-2170	27
XF8811N	Dual-band Combiner	791-960&1710-2170/2400-2500	28
XF8399N	Tri-band Combiner	791-960/1710-2170/2400-2500	29
XF0015A	Dual-band Combiner	791-960/1710-2690	30
XF1061A	Dual-band Combiner	791-862/880-960	30
XF1062A	Dual-band Combiner	1710-1880/1920-2170	31
XF1063A	Dual-band Combiner	1920-2170/2500-2690	31
XF1064A	Tri-band Combiner	791-862/880-960/1920-2170	32
XF1065A	Tri-band Combiner	880-960/1920-2170/2500-2690	32
XF5034/35/36N	Power Splitter, 2/3/4-way, N	698-2690	33
XF5034/35/36D/E	Power Splitter, 2/3/4-way, 7-16/4.3-10	698-2690	34
XF5021N-26N	5/6/7/10/15/20 dB Dir. Coupler	698-2690	35
XF5120-24D/E	6/10/15/20/30 dB Dir. Coupler	698-2690	36
XF5029N	3dB Hybrid Coupler, 2:2, N	698-2690	37
XF5029N3	3dB Hybrid Coupler, 2:1, 5W	698-2690	37
XF5144D/E	3dB Hybrid Coupler, 2:2, 30dB, -160dBc	698-2690	38
XF5018D/E	3dB Hybrid Combiner, 2:1, 100W, -160dBc	698-2690	39
XF5159D/E	Combining Matrix, 4:4, 30dB, -160dBc	698-2690	40
XF5012D/E	Combining Matrix, 4:4, 25dB, -160dBc	698-2690	41
XF5093D/E	Combining Matrix, 3:3	698-2690	42
XF1098D/EM2	50 Ohm Termination Load, 100W, -165dBc	380-3000	43
XF1098D/EM3	50 Ohm Termination Load, 200W, -165dBc	380-3000	44
XF1150-xx	1 to 30 dB Coaxial Attenuator, 2W	DC-3000	45
XF1098NM	50 Ohm Termination, 2W	DC-3000	45
XF1180D/Ey-xx	Coaxial Attenuator, -160dBc	698-2690	46

Antenna System

The background of the slide features a series of smooth, flowing, and overlapping lines in various shades of light blue and white. These lines create a sense of movement and depth, starting from the bottom left and curving upwards and towards the right, eventually fading into the white background at the top.

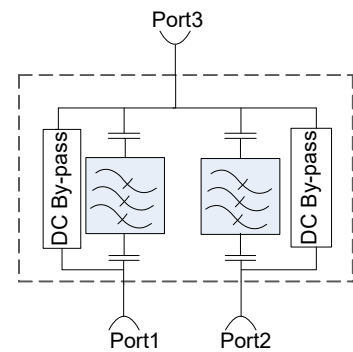
Product Specifications

Type No.	XF8825D/E	
Electrical		
Input ports (I/P)	Port1	Port2
Frequency (MHz)	1710-1880	1920-2170
Insertion loss, any I/P to Port3 (dB)	≤ 0.3	
Ripple in band (dB)	≤ 0.25	
Isolation between I/Ps (dB)	≥ 50	
VSWR	≤ 1.3:1	
Impedance	50 Ω	
Input power (c.w./per port)	≤ 300 Watts	
PIM (3 rd order, @2×43dBm)	≤ -160 dBc	
DC/AISG	By-pass (2500 mA max.)	
Lightning protection	3 kA, 10/350 μs pulse	
Mechanical		
Connectors	DIN 7-16 female (D) or 4.3-10 female (E)	
Colors	Grey, RAL 7035	
Weight	≤ 2.8 kg	
Dimensions (w/o connectors and brackets)	182 x 164 x 56 mm	
Environmental		
Temperature range	-25 to +65 °C	
Application	Outdoor, IP 66	

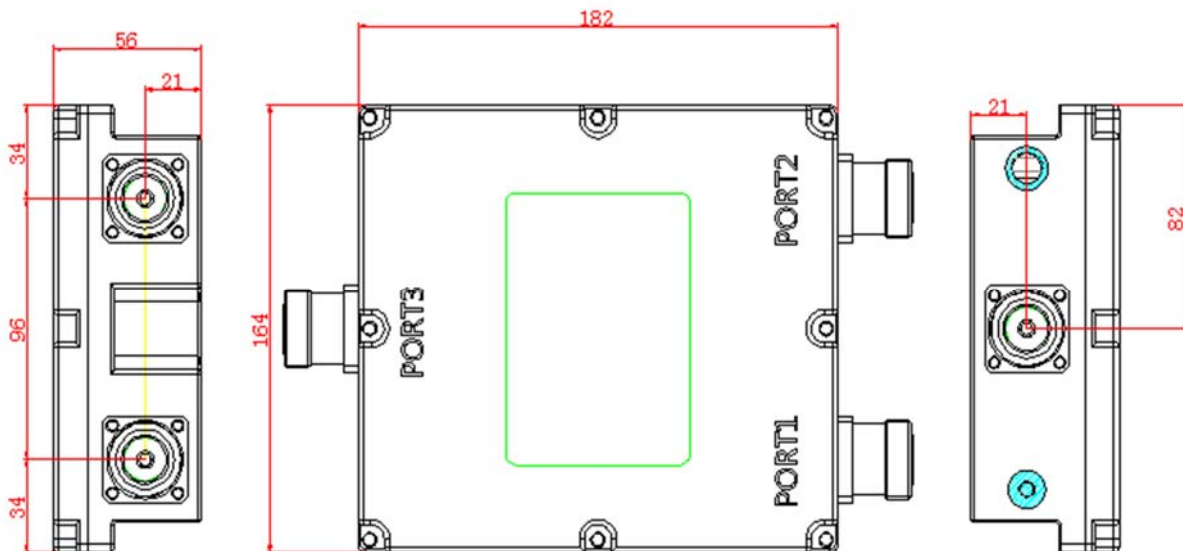
Product Picture



Schematic Diagram



Outline Drawing



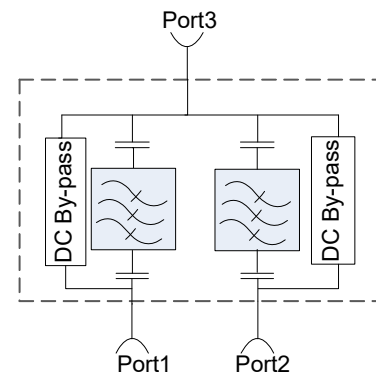
Product Specifications

Type No.	XF8826D/E	
Electrical		
Input ports (I/P)	Port1	Port2
Frequency (MHz)	146-960	1710-2690
Insertion loss, any I/P to Port3 (dB)	≤ 0.3	
Ripple in band (dB)	≤ 0.25	
Isolation between I/Ps (dB)	≥ 50	
VSWR	≤ 1.3:1	
Impedance	50 Ω	
Input power (c.w./per port)	≤ 300 Watts	
PIM (3 rd order, @2×43dBm)	≤ -160 dBc	
DC/AISG	By-pass (2500 mA max.)	
Lightning protection	3 kA, 10/350 μs pulse	
Mechanical		
Connectors	DIN 7-16 female (D) or 4.3-10 female (E)	
Colors	Grey, RAL 7035	
Weight	≤ 2 kg	
Dimensions (w/o connectors and brackets)	181.8 x 104 x 51 mm	
Environmental		
Temperature range	-25 to +65 °C	
Application	Outdoor, IP 66	

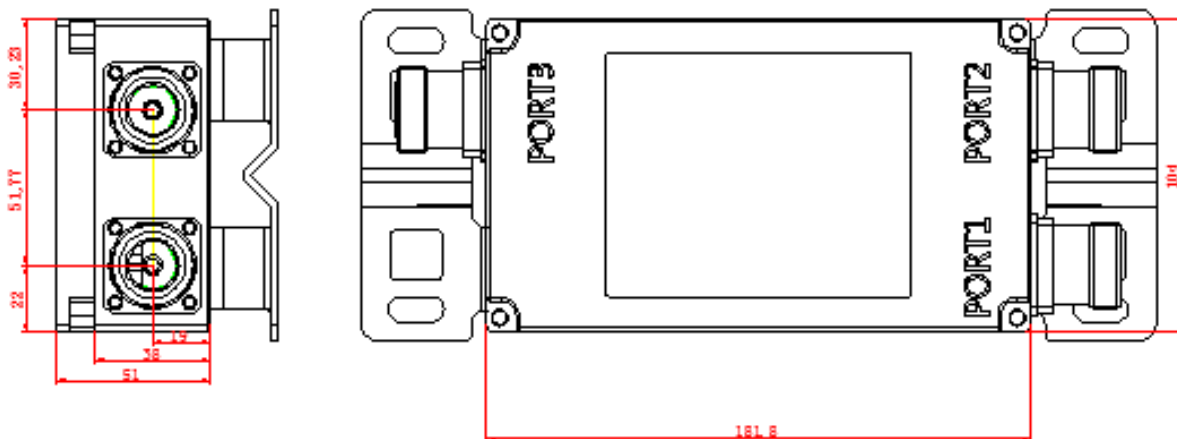
Product Picture



Schematic Diagram



Outline Drawing



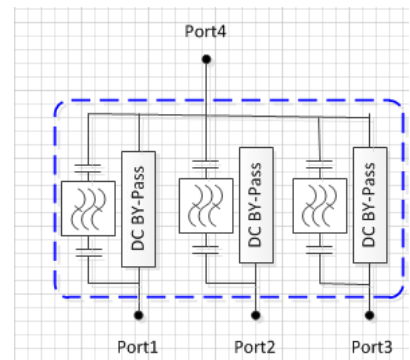
Product Specifications

Type No.	XF8827D/E		
Electrical			
Input ports (I/P)	Port1	Port2	Port3
Frequency (MHz)	380-960	1710-2170	2500-2690
Insertion loss, any I/P to Port4 (dB)	≤ 0.3		
Ripple in band (dB)	≤ 0.25		
Isolation between I/Ps (dB)	≥ 50		
VSWR	≤ 1.3:1		
Impedance	50 Ω		
Input power (c.w./per port)	≤ 300 Watts		
PIM (3 rd order, @2×43dBm)	≤ -160 dBc		
DC/AISG	By-pass (2500 mA max.)		
Lightning protection	3 kA, 10/350 μs pulse		
Mechanical			
Connectors	DIN 7-16 female (D) or 4.3-10 female (E)		
Colors	Grey, RAL 7035		
Weight	≤ 2.8 kg		
Dimensions (w/o connectors and brackets)	180 x 158 x 54 mm		
Environmental			
Temperature range	-25 to +65 °C		
Application	Outdoor, IP 66		

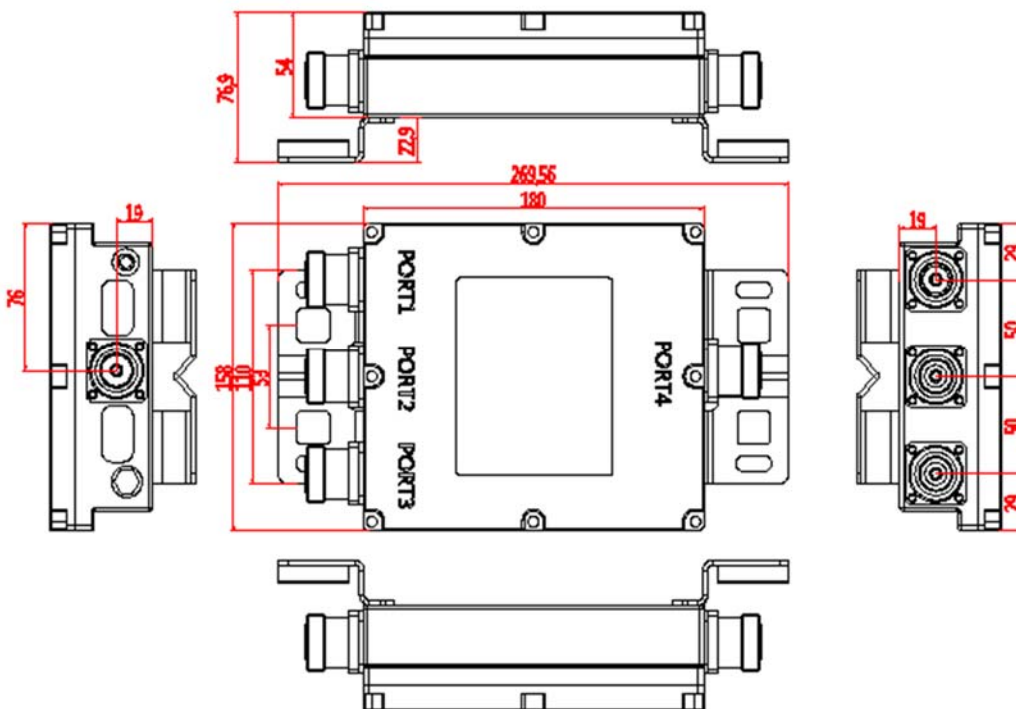
Product Picture



Schematic Diagram



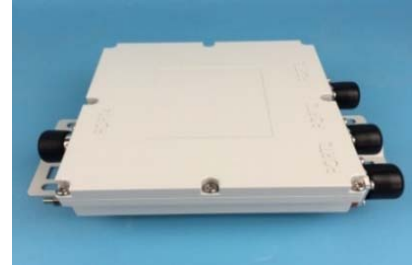
Outline Drawing



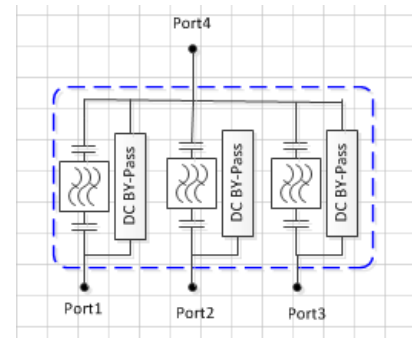
Product Specifications

Type No.	XF8828D/E		
Electrical			
Input ports (I/P)	Port1	Port2	Port3
Frequency (MHz)	380-960	1710-1880	1920-2170
Insertion loss, any I/P to Port4 (dB)	≤ 0.3		
Ripple in band (dB)	≤ 0.25		
Isolation between I/Ps (dB)	≥ 50		
VSWR	≤ 1.3:1		
Impedance	50 Ω		
Input power (c.w./per port)	≤ 300 Watts		
PIM (3 rd order, @2×43dBm)	≤ -160 dBc		
DC/AISG	By-pass (2500 mA max.)		
Lightning protection	3 kA, 10/350 μs pulse		
Mechanical			
Connectors	DIN 7-16 female (D) or 4.3-10 female (E)		
Colors	Grey, RAL 7035		
Weight	≤ 3.3 kg		
Dimensions (w/o connectors and brackets)	206 x 180 x 56 mm		
Environmental			
Temperature range	-25 to +65 °C		
Application	Outdoor, IP 66		

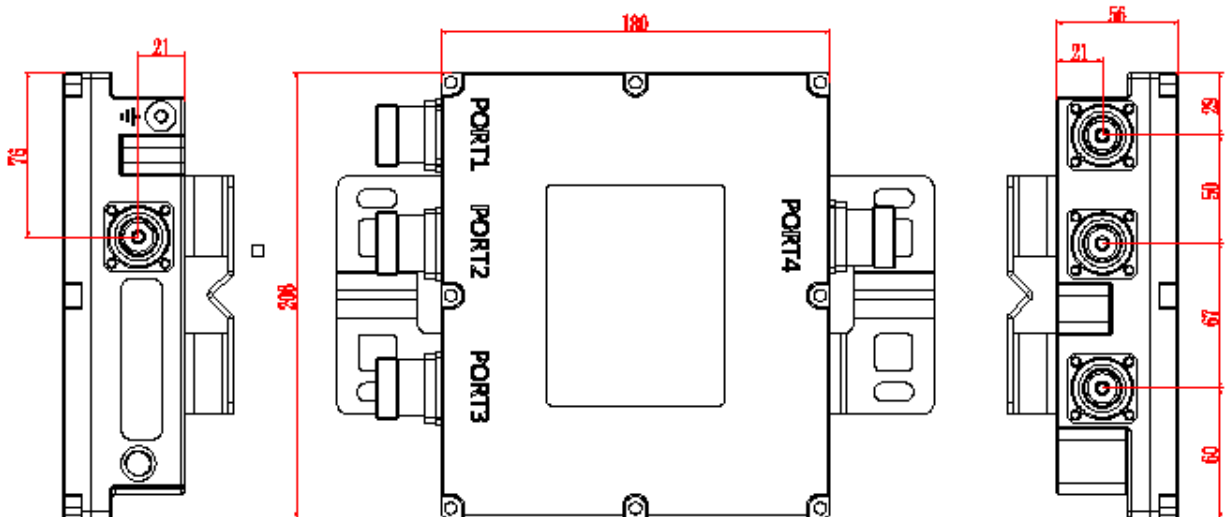
Product Picture



Schematic Diagram



Outline Drawing



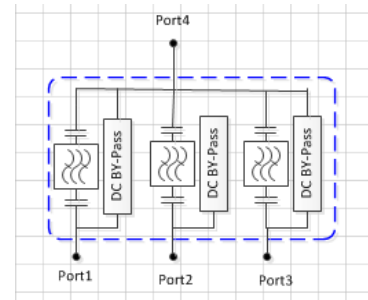
Product Specifications

Type No.	XF8829D/E		
Electrical			
Input ports (I/P)	Port1	Port2	Port3
Frequency (MHz)	1710-1880	1920-2170	2500-2690
Insertion loss, any I/P to Port4 (dB)	≤ 0.3		
Ripple in band (dB)	≤ 0.25		
Isolation between I/Ps (dB)	≥ 50		
VSWR	≤ 1.3:1		
Impedance	50 Ω		
Input power (c.w./per port)	≤ 300 Watts		
PIM (3 rd order, @2×43dBm)	≤ -160 dBc		
DC/AISG	By-pass (2500 mA max.)		
Lightning protection	3 kA, 10/350 μs pulse		
Mechanical			
Connectors	DIN 7-16 female (D) or 4.3-10 female (E)		
Colors	Grey, RAL 7035		
Weight	≤ 3.3 kg		
Dimensions (w/o connectors and brackets)	226 x 164 x 56 mm		
Environmental			
Temperature range	-25 to +65 °C		
Application	Outdoor, IP 66		

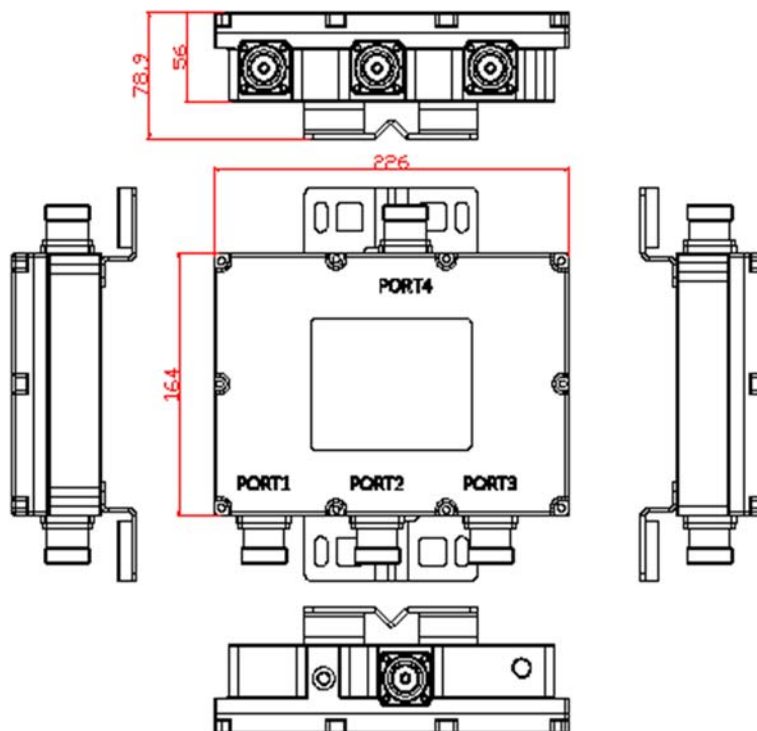
Product Picture



Schematic Diagram



Outline Drawing



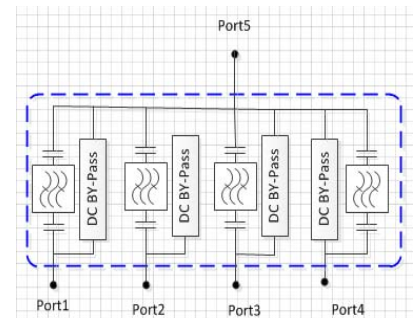
Product Specifications

Type No.	XF8886D/E			
Electrical				
Input ports (I/P)	Port1	Port2	Port3	Port4
Frequency (MHz)	380-960	1710-1880	1920-2170	2300-2690
Ins. loss, any I/P to Port5 (dB)	≤ 0.3			
Ripple in band (dB)	≤ 0.25			
Isolation between I/Ps (dB)	≥ 50			
VSWR	≤ 1.3:1			
Impedance	50 Ω			
Input power (c.w./per port)	≤ 300 Watts			
PIM (3 rd order, @2×43dBm)	≤ -160 dBc			
DC/AISG	By-pass (2500 mA max.)			
Lightning protection	3 kA, 10/350 μs pulse			
Mechanical				
Connectors	DIN 7-16 female (D) or 4.3-10 female (E)			
Colors	Grey, RAL 7035			
Weight	≤ 3.3 kg			
Dimensions	215 x 200 x 50 mm (w/o connectors and brackets)			
Environmental				
Temperature range	-25 to +65 °C			
Application	Outdoor, IP 66			

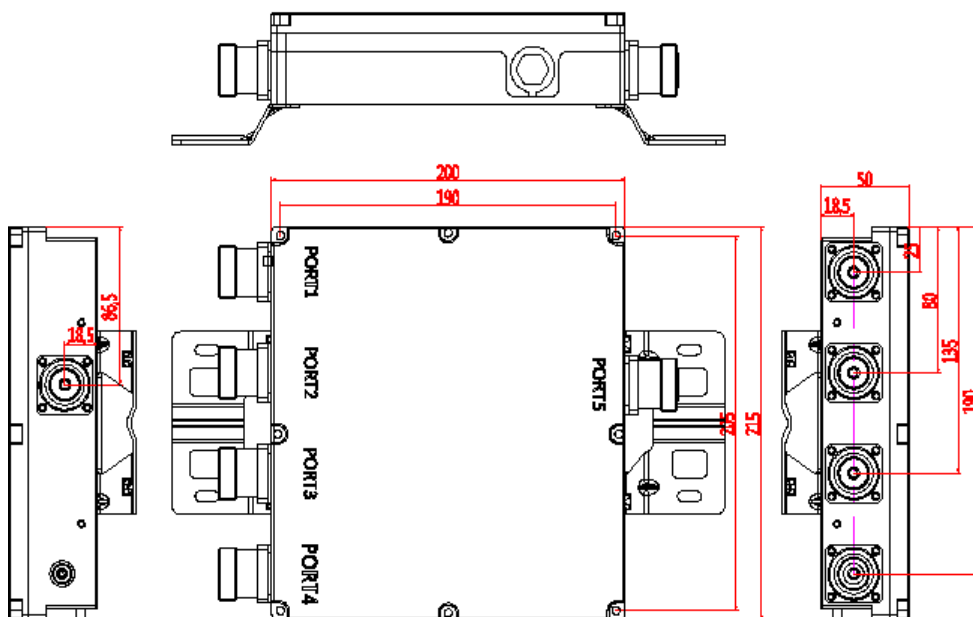
Product Picture



Schematic Diagram



Outline Drawing



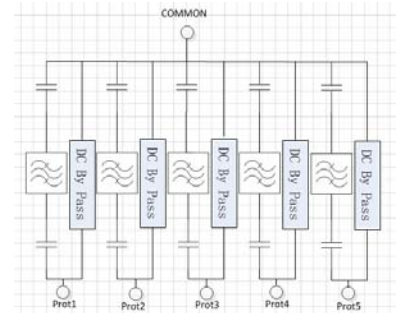
Product Specifications

Type No.	XF1174D/E				
Electrical					
Input ports (I/P)	Port1	Port2	Port3	Port4	Port5
Frequency (MHz)	791-862	880-960	1710-1880	1920-2170	2500-2690
Ins. loss, any I/P to COM (dB)	≤ 0.6	≤ 0.6	≤ 0.4	≤ 0.4	≤ 0.3
Ripple in band (dB)	≤ 0.25				
Isolation between I/Ps (dB)	≥ 50				
VSWR	≤ 1.3:1				
Impedance	50 Ω				
Input power (c.w./per port)	≤ 200 Watts				
PIM (3 rd order, @2×43dBm)	≤ -155 dBc				
DC/AISG	By-pass (2500 mA max.)				
Lightning protection	3 kA, 10/350 μs pulse				
Mechanical					
Connectors	DIN 7-16 female (D) or 4.3-10 female (E)				
Colors	Grey, RAL 7035				
Weight	≤ 4.3 kg				
Dimensions	294 x 200 x 52 mm (w/o connectors and brackets)				
Environmental					
Temperature range	-20 to +55 °C				
Application	Outdoor, IP 67				

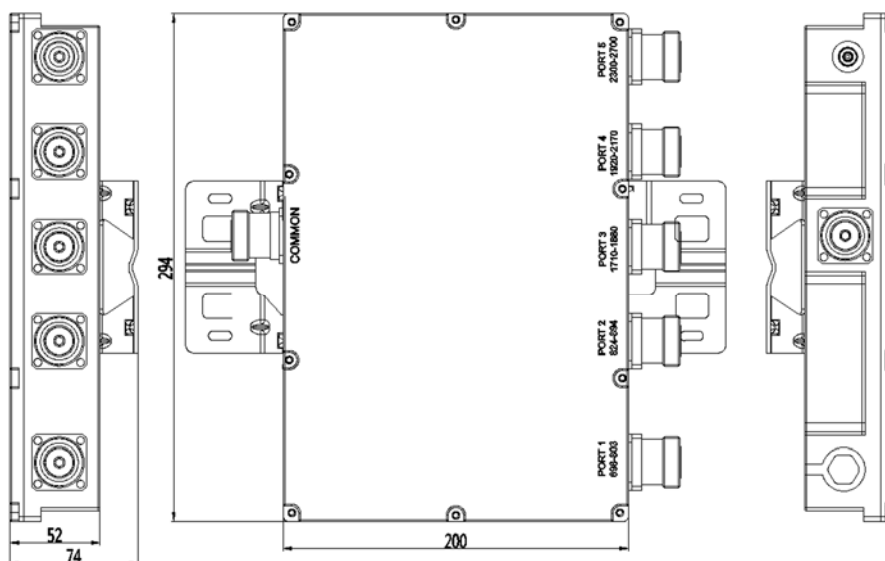
Product Picture



Schematic Diagram



Outline Drawing



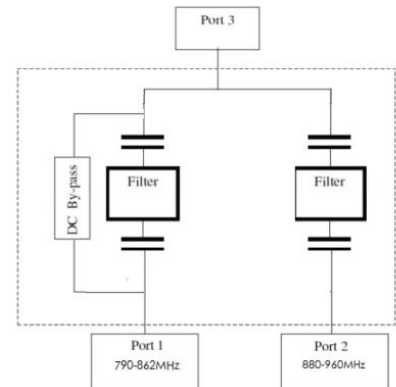
Product Specifications

Type No.	XF8921D/E	
Electrical		
Input ports (I/P)	Port1	Port2
Frequency (MHz)	790-862	880-960
Insertion loss, any I/P to Port3 (dB)	≤ 0.4	
Isolation between I/Ps (dB)	≥ 50	
VSWR	≤ 1.3:1	
Impedance	50 Ω	
Input power (c.w./per port)	≤ 200 Watts	
PIM (3 rd order, @2×43dBm)	≤ -160 dBc	
DC/AISG	By-pass (2500 mA max.)	
Lightning protection	3 kA, 10/350 μs pulse	
Mechanical		
Connectors	DIN 7-16 female (D) or 4.3-10 female (E)	
Colors	Grey, RAL 7035 (powdering)	
Weight	≤ 2.97 kg	
Dimensions (w/o connectors and brackets)	206 x 179 x 60 mm	
Environmental		
Temperature range	-20 to +55 °C	
Application	Outdoor, IP 67	

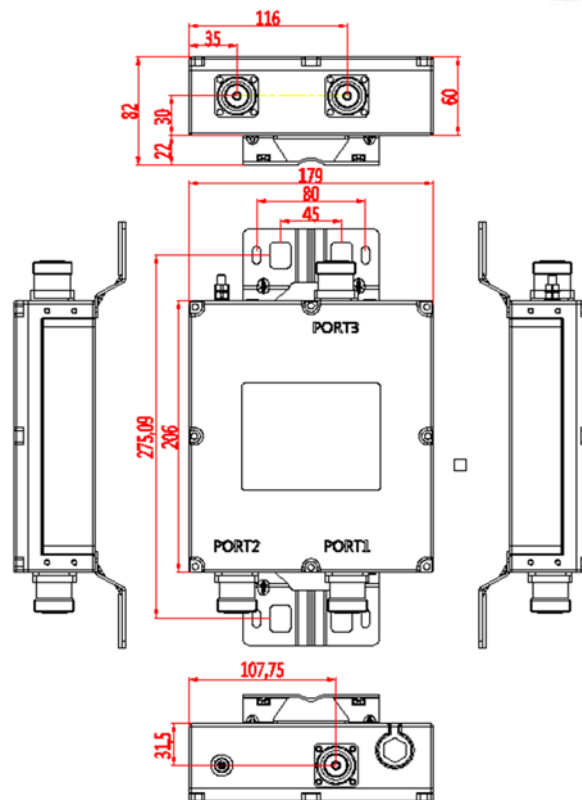
Product Picture



Schematic Diagram



Outline Drawing



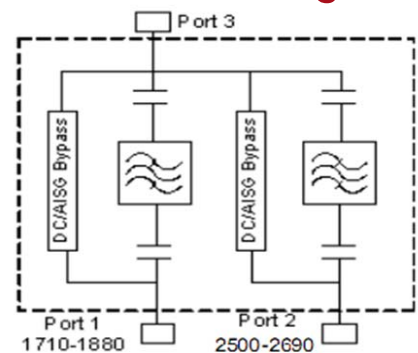
Product Specifications

Type No.	XF8923D/E	
Electrical		
Input ports (I/P)	Port1	Port2
Frequency (MHz)	1710-1880	2500-2690
Insertion loss, any I/P to Port3 (dB)	≤ 0.3	
Isolation between I/Ps (dB)	≥ 50	
VSWR	≤ 1.3:1	
Impedance	50 Ω	
Input power (c.w./per port)	≤ 200 Watts	
PIM (3 rd order, @2×43dBm)	≤ -160 dBc	
DC/AISG	By-pass (2500 mA max.)	
Lightning protection	3 kA, 10/350 μs pulse	
Mechanical		
Connectors	DIN 7-16 female (D) or 4.3-10 female (E)	
Colors	Grey, RAL 7035 (powdering)	
Weight	≤ 1.63 kg	
Dimensions (w/o connectors and brackets)	146 x 132 x 60 mm	
Environmental		
Temperature range	-20 to +55 °C	
Application	Outdoor, IP 67	

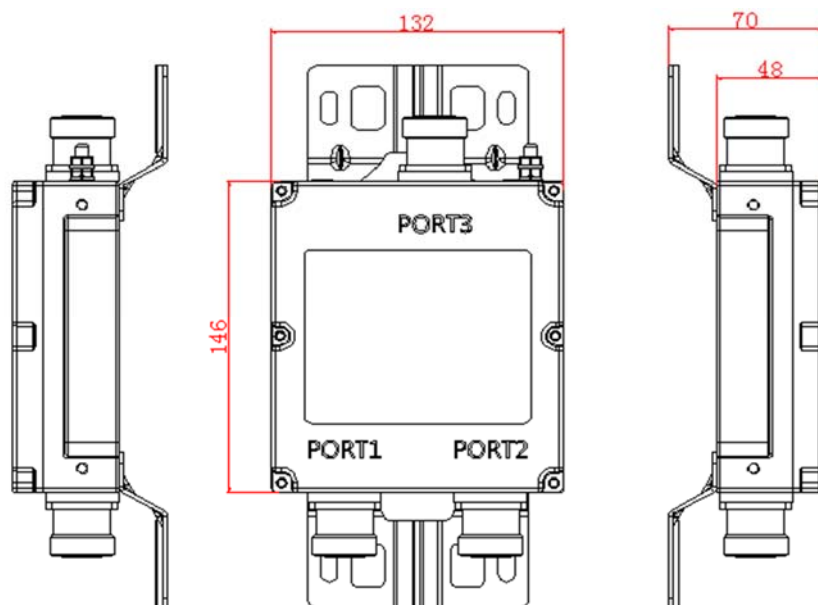
Product Picture



Schematic Diagram



Outline Drawing



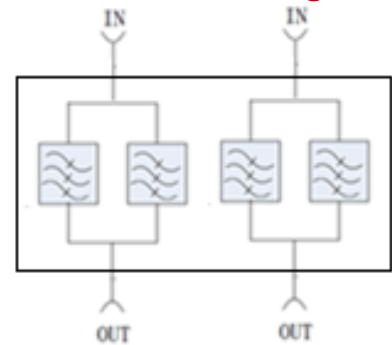
Product Specifications

Type No.	XF7125D
Electrical	
Frequency (MHz)	890-915 & 935-960
Insertion loss, IN to OUT (dB)	≤ 0.6
Rejection (dB)	≥ 45 in 698-880 MHz
Impedance	50 Ω
VSWR	≤ 1.3:1
Input power (c.w./per input port)	≤ 200 W
PIM (3 rd order, @2×43dBm)	≤ -160 dBc
DC/AISG	By-pass (2500 mA max.)
Lightning protection	3 kA, 10/350 μs pulse
Mechanical	
Connectors	DIN 7-16 female
Colors	Grey, RAL 7035
Dimensions (w/o connectors and brackets)	220 x 190 x 65 mm
Weight	≤ 4.1 kg
Environmental	
Temperature range	-20 to +60 °C
Application	Outdoor, IP 67

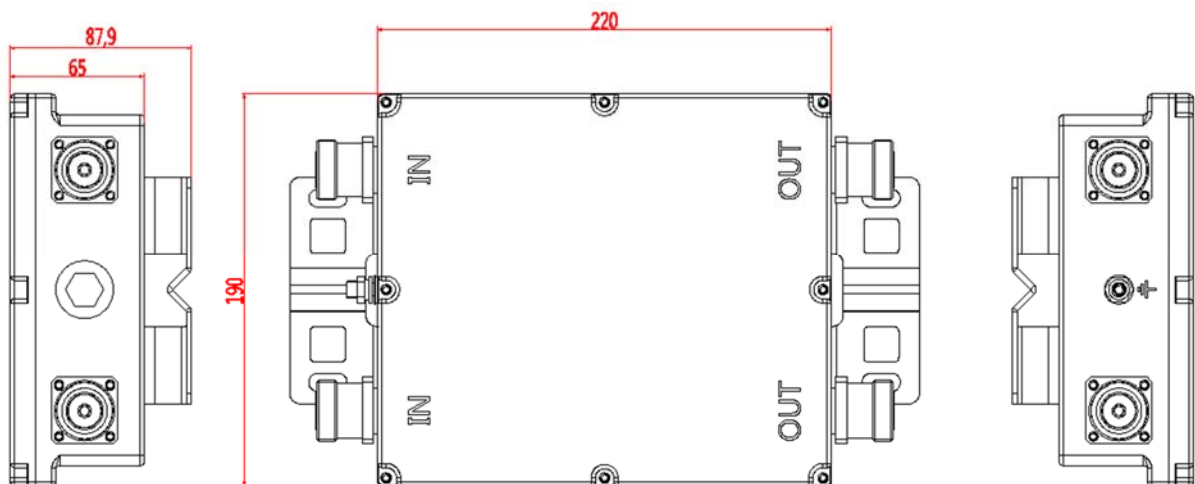
Product Picture



Schematic Diagram



Outline Drawing



In-Building System

The background of the slide features a series of smooth, flowing, and overlapping lines in various shades of light blue and white. These lines create a sense of movement and depth, starting from the bottom left and curving upwards and towards the right, eventually fading into the white background at the top.

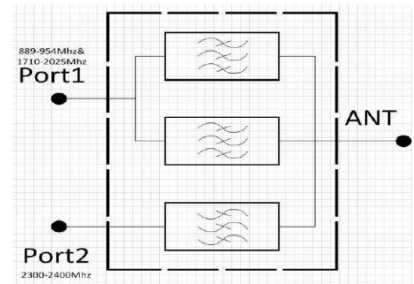
Product Specifications

Type No.	XF8078N	
Electrical		
Input ports (I/P)	Port1	Port2
Frequency (MHz)	889-954 & 1710-2025	2300-2400
Insertion loss (dB)	I/P → ANT	≤ 0.6
Isolation between I/Ps (dB)		≥ 80
VSWR		≤ 1.3:1
Impedance		50 Ω
Input power (c.w./per port)		≤ 200 Watts
PIM (3 rd order, @2×43dBm)		≤ -150 dBc
Mechanical		
Connectors	N female	
Colors	Black (painting)	
Weight	≤ 0.45 kg	
Dimensions (without connectors)	130 x 81 x 29 mm	
Environmental		
Temperature range	-20 to +55 °C	
Humidity	95 % max, non-condensing	
Application	Indoor, IP 40	

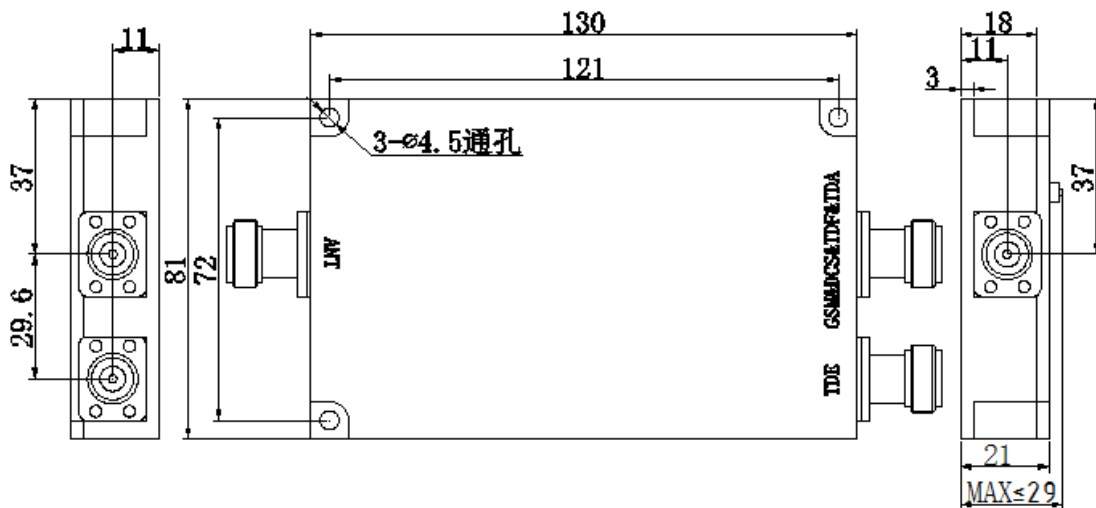
Product Picture



Schematic Diagram



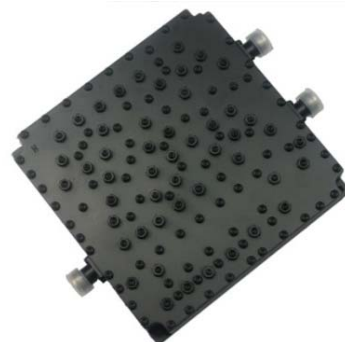
Outline Drawing



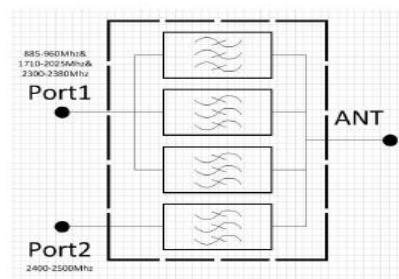
Product Specifications

Type No.	XF8800N		
Electrical			
Input ports (I/P)	Port1		Port2
Frequency (MHz)	889-954&1710-2025	2300-2380	2400-2500
Insertion loss (dB)	I/P → ANT	≤ 0.6	≤ 1.5
Isolation between any I/Ps (dB)		≥ 90	≥ 80
VSWR	≤ 1.3:1		
Impedance	50 Ω		
Input power (c.w./per port)	≤ 200 W		
PIM (3 rd order, @2×43dBm)	≤ -150 dBc		
Mechanical			
Connectors	N female		
Colors	Black (painting)		
Weight	≤ 1.0 kg		
Dimensions (without connectors)	160 x 161 x 36 mm		
Environmental			
Temperature range	-20 to +55 °C		
Humidity	95 % max, non-condensing		
Application	Indoor, IP 40		

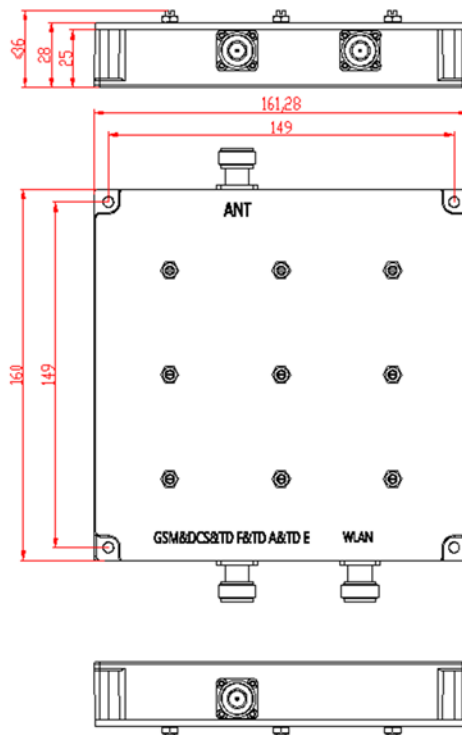
Product Picture



Schematic Diagram



Outline Drawing



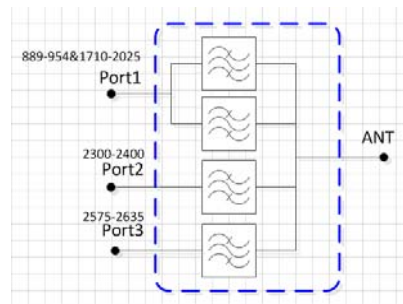
Product Specifications

Type No.	XF8769N		
Electrical			
Input ports (I/P)	Port1	Port2	Port3
Frequency (MHz)	889-954&1710-2025	2300-2400	2575-2635
Insertion loss (dB)	I/P → ANT	≤ 0.8	
Isolation between any I/Ps (dB)	≥ 80		
VSWR	≤ 1.3:1		
Impedance	50 Ω		
Input power (c.w./per port)	≤ 200 Watts		
PIM (3 rd order, @2×43dBm)	≤ -150 dBc		
Mechanical			
Connectors	N female		
Colors	Black (painting)		
Weight	≤ 1.2 kg		
Dimensions (without connectors)	160 x 161 x 36 mm		
Environmental			
Temperature range	-20 to +55 °C		
Humidity	95 % max, non-condensing		
Application	Indoor, IP 40		

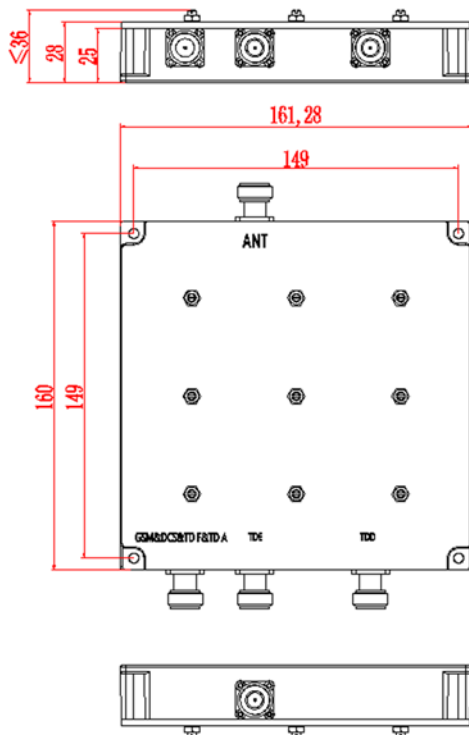
Product Picture



Schematic Diagram



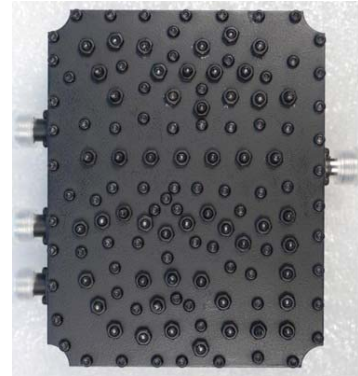
Outline Drawing



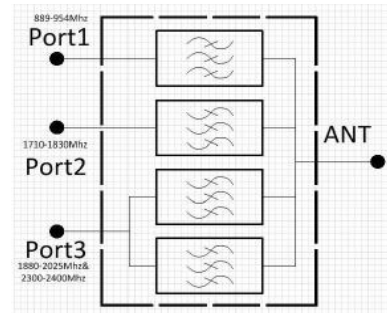
Product Specifications

Type No.	XF8771N		
Electrical			
Input ports (I/P)	Port1	Port2	Port3
Frequency (MHz)	889-954	1710-1830	1880-2025&2300-2400
Insertion loss (dB)	I/P → ANT ≤ 0.6		
Isolation between any I/Ps (dB)	≥ 80		
VSWR	≤ 1.3:1		
Impedance	50 Ω		
Input power (c.w./per port)	≤ 200 Watts		
PIM (3 rd order, @2×43dBm)	≤ -150 dBc		
Mechanical			
Connectors	N female		
Colors	Black (painting)		
Weight	≤ 1.4 kg		
Dimensions (without connectors)	164 x 126 x 48 mm		
Environmental			
Temperature range	-20 to +55 °C		
Humidity	95 % max, non-condensing		
Application	Indoor, IP 40		

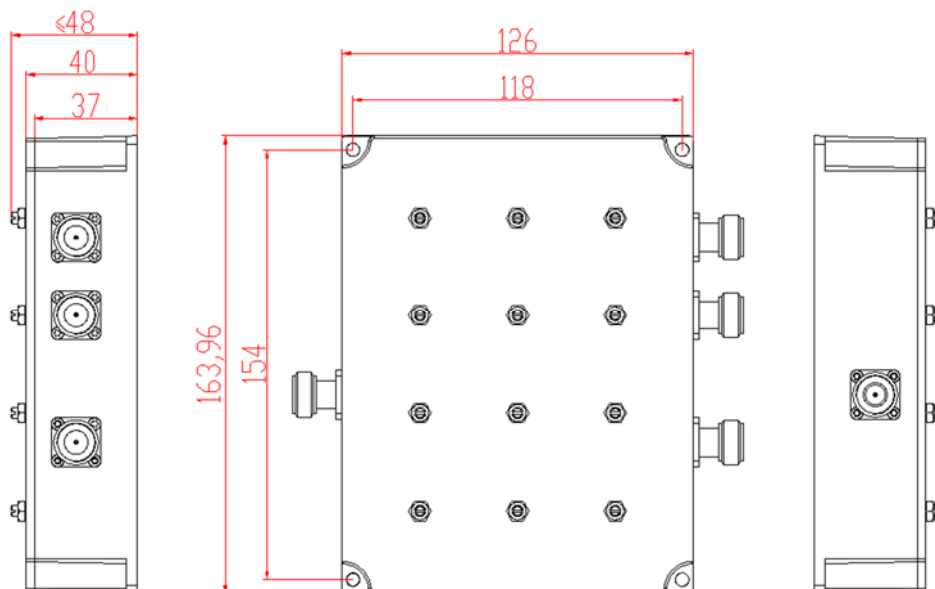
Product Picture



Schematic Diagram



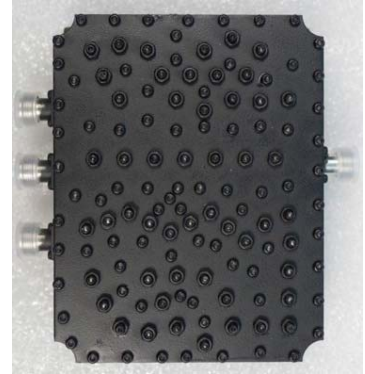
Outline Drawing



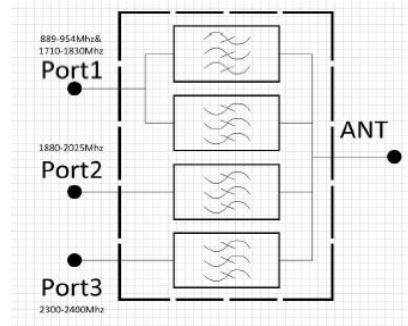
Product Specifications

Type No.	XF8772N		
Electrical			
Input ports (I/P)	Port1	Port2	Port3
Frequency (MHz)	889-954&1710-1830	1880-2025	2300-2400
Insertion loss (dB)	I/P → ANT ≤ 0.8		
Isolation between any I/Ps (dB)	≥ 80		
VSWR	≤ 1.3:1		
Impedance	50 Ω		
Input power (c.w./per port)	≤ 200 Watts		
PIM (3 rd order, @2×43dBm)	≤ -150 dBc		
Mechanical			
Connectors	N female		
Colors	Black (painting)		
Weight	≤ 1.4 kg		
Dimensions (without connectors)	164 x 126 x 48 mm		
Environmental			
Temperature range	-20 to +55 °C		
Humidity	95 % max, non-condensing		
Application	Indoor, IP 40		

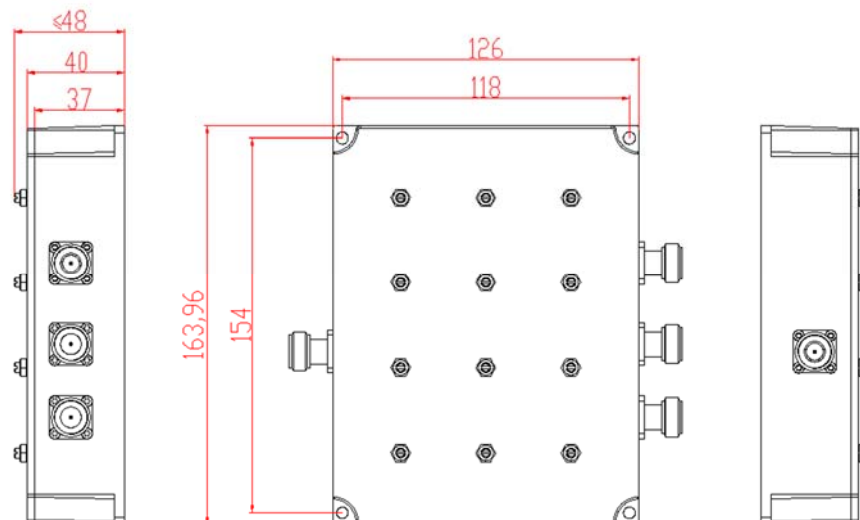
Product Picture



Schematic Diagram



Outline Drawing



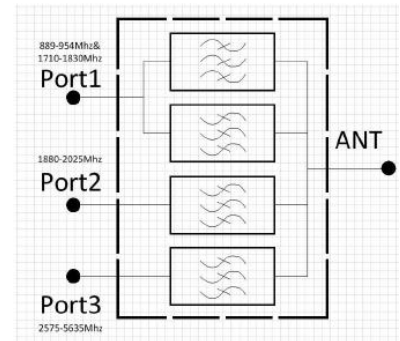
Product Specifications

Type No.	XF8802N		
Electrical			
Input ports (I/P)	Port1	Port2	Port3
Frequency (MHz)	889-954&1710-1830	1880-2025	2575-2635
Insertion loss (dB)	I/P → ANT	≤ 0.8	
Isolation between any I/Ps (dB)	≥ 80		
VSWR	≤ 1.3:1		
Impedance	50 Ω		
Input power (c.w./per port)	≤ 200 Watts		
PIM (3 rd order, @2×43dBm)	≤ -150 dBc		
Mechanical			
Connectors	N female		
Colors	Grey, RAL 7035		
Weight	≤ 1.4 kg		
Dimensions (without connectors)	176 x 145 x 46 mm		
Environmental			
Temperature range	-20 to +55 °C		
Application	Outdoor, IP 65		

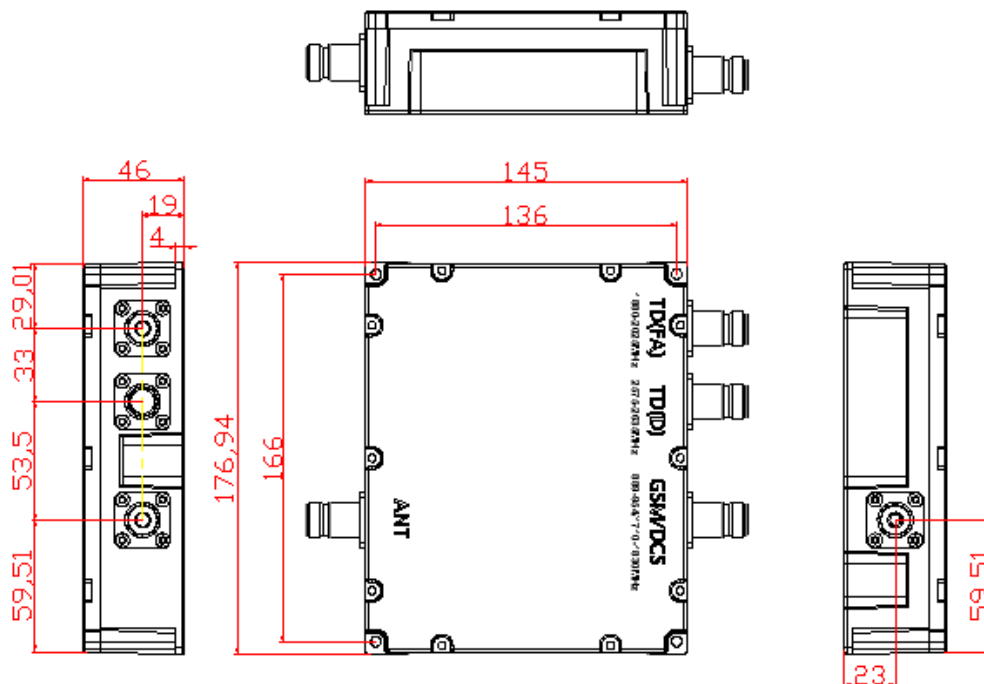
Product Picture



Schematic Diagram



Outline Drawing



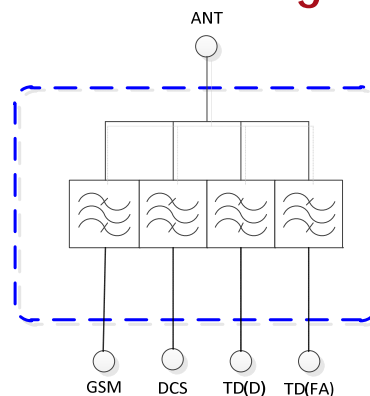
Product Specifications

Type No.	XF8803N			
Electrical				
Input ports (I/P)	Port1	Port2	Port3	Port4
Frequency (MHz)	889-954	1710-1830	1880-2025	2575-2635
Insertion loss (dB)	I/P → ANT ≤ 0.8			
Isolation between any I/Ps (dB)	≥ 80			
VSWR	≤ 1.3:1			
Impedance	50 Ω			
Input power (c.w./per port)	≤ 200 Watts			
PIM (3 rd order, @2×43dBm)	≤ -150 dBc			
Mechanical				
Connectors	N female			
Colors	Grey, RAL 7035			
Weight	≤ 2.1 kg			
Dimensions (without connectors)	175 x 145 x 46 mm			
Environmental				
Temperature range	-20 to +55 °C			
Application	Outdoor, IP 65			

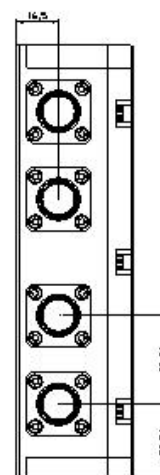
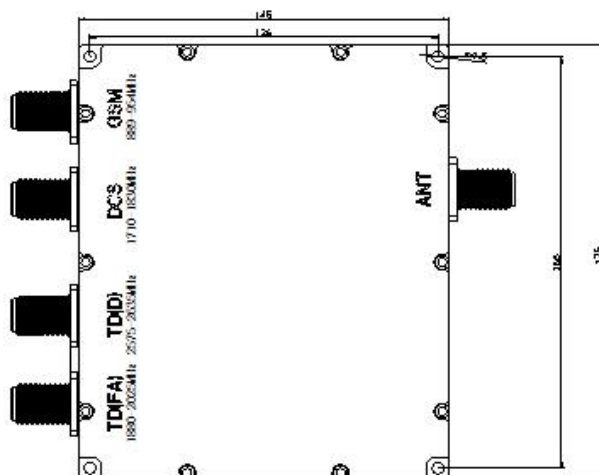
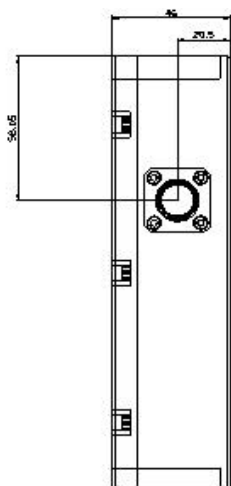
Product Picture



Schematic Diagram



Outline Drawing



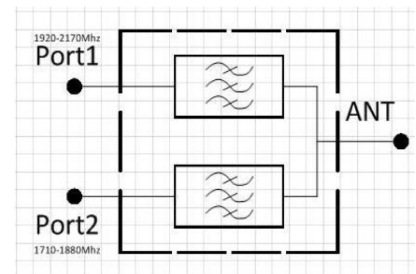
Product Specifications

Type No.	XF8808N	
Electrical		
Input ports (I/P)	Port1	Port2
Frequency (MHz)	1710-1880	1920-2170
Insertion loss (dB)	≤ 0.5	
Isolation between I/Ps (dB)	≥ 80	
VSWR	≤ 1.3:1	
Impedance	50 Ω	
Input power (c.w./per port)	≤ 300 Watts	
PIM (3 rd order, @2×43dBm)	≤ -150 dBc	
Mechanical		
Connectors	N female	
Colors	Black (painting)	
Weight	≤ 1.1 kg	
Dimensions (without connectors)	173 x 125 x 45 mm	
Environmental		
Temperature range	-20 to +55 °C	
Humidity	95 % max, non-condensing	
Application	Indoor, IP 40	

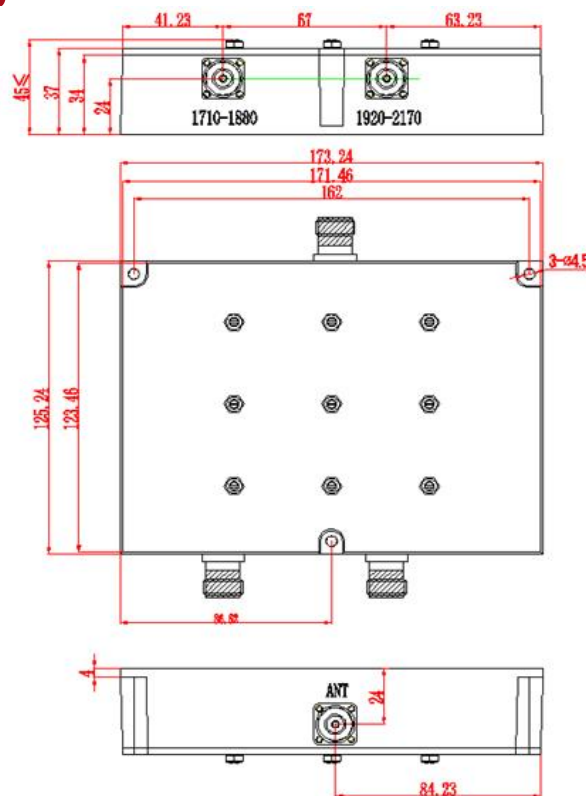
Product Picture



Schematic Diagram



Outline Drawing



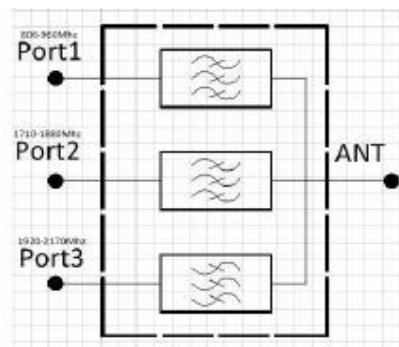
Product Specifications

Type No.	XF8809N		
Electrical			
Input ports (I/P)	Port1	Port2	Port3
Frequency (MHz)	791-960	1710-1880	1920-2170
Insertion loss (dB)	≤ 0.5		
Isolation between any I/Ps (dB)	≥ 80		
VSWR	≤ 1.3:1		
Impedance	50 Ω		
Input power (c.w./per port)	≤ 300 Watts		
PIM (3 rd order, @2×43dBm)	≤ -150 dBc		
Mechanical			
Connectors	N female		
Colors	Black (painting)		
Weight	≤ 1.2 kg		
Dimensions (without connectors)	170 x 152 x 43.5 mm		
Environmental			
Temperature range	-20 to +55 °C		
Humidity	95 % max, non-condensing		
Application	Indoor, IP 40		

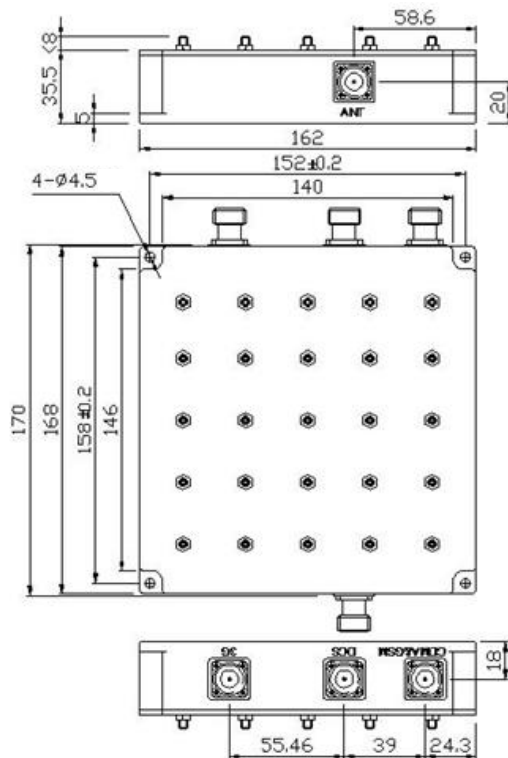
Product Picture



Schematic Diagram



Outline Drawing



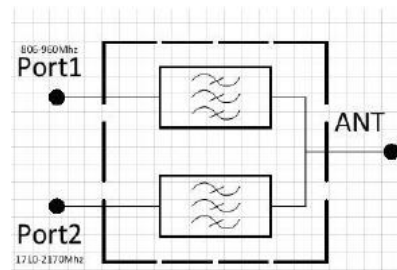
Product Specifications

Type No.	XF8810N	
Electrical		
Input ports (I/P)	Port1	Port2
Frequency (MHz)	791-960	1710-2170
Insertion loss (dB)	≤ 0.5	
Isolation between I/Ps (dB)	≥ 80	
VSWR	≤ 1.3:1	
Impedance	50 Ω	
Input power (c.w./per port)	≤ 300 Watts	
PIM (3 rd order, @2×43dBm)	≤ -150 dBc	
Mechanical		
Connectors	N female	
Colors	Black (painting)	
Weight	≤ 0.96 kg	
Dimensions (without connectors)	148 x 73 x 38 mm	
Environmental		
Temperature range	-20 to +55 °C	
Humidity	95 % max, non-condensing	
Application	Indoor, IP 40	

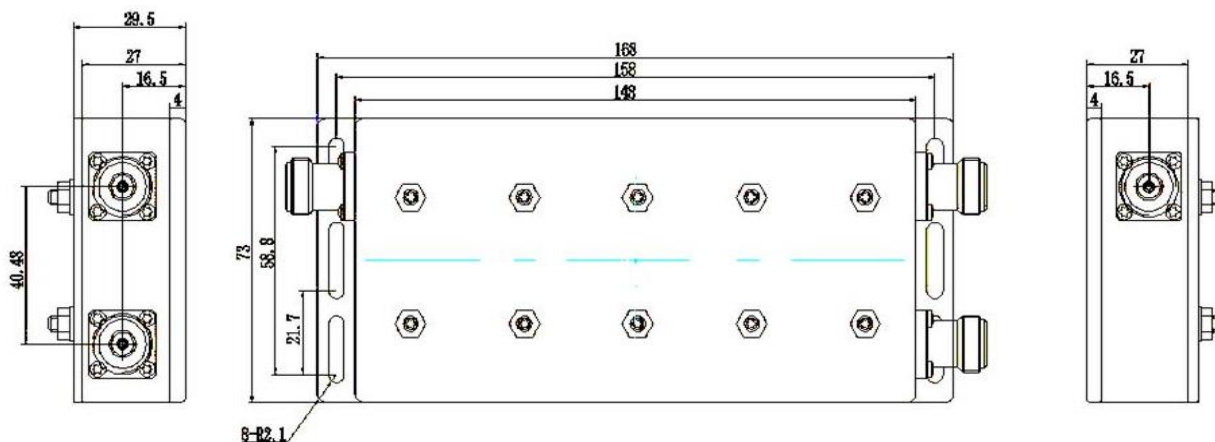
Product Picture



Schematic Diagram



Outline Drawing



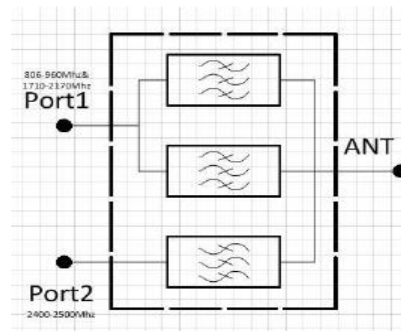
Product Specifications

Type No.	XF8811N	
Electrical		
Input ports (I/P)	Port1	Port2
Frequency (MHz)	791-960 & 1710-2170	2400-2500
Insertion loss (dB)	≤ 0.5	
Isolation between I/Ps (dB)	≥ 80	
VSWR	≤ 1.3:1	
Impedance	50 Ω	
Input power (c.w./per port)	≤ 300 Watts	
PIM (3 rd order, @2×43dBm)	≤ -150 dBc	
Mechanical		
Connectors	N female	
Colors	Black (painting)	
Weight	≤ 0.6 kg	
Dimensions (without connectors)	130 x 81 x 29 mm	
Environmental		
Temperature range	-20 to +55 °C	
Humidity	95 % max, non-condensing	
Application	Indoor, IP 40	

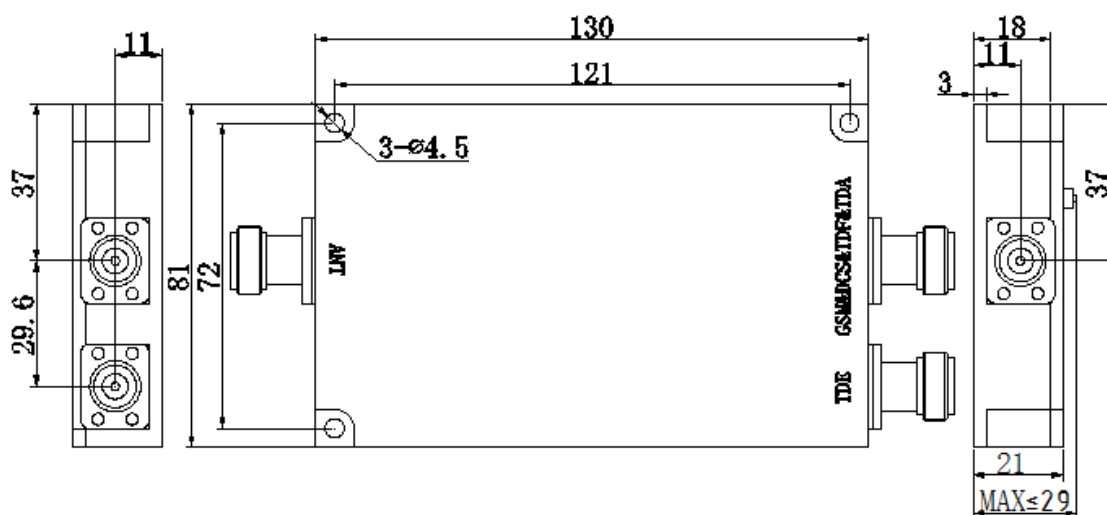
Product Picture



Schematic Diagram



Outline Drawing



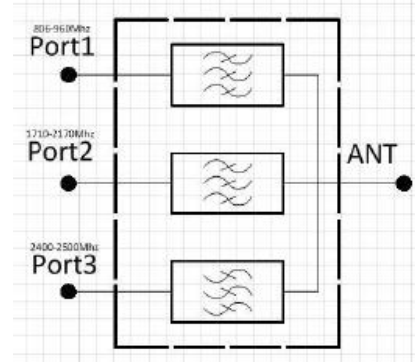
Product Specifications

Type No.	XF8399N		
Electrical			
Input ports (I/P)	Port1	Port2	Port3
Frequency (MHz)	791-960	1710-2170	2400-2500
Insertion loss (dB)	≤ 0.5		
Isolation between any I/Ps (dB)	≥ 80		
VSWR	≤ 1.3:1		
Impedance	50 Ω		
Input power (c.w./per port)	≤ 300 Watts		
PIM (3 rd order, @2×43dBm)	≤ -150 dBc		
Mechanical			
Connectors	N female		
Colors	Black (painting)		
Weight	≤ 0.9 kg		
Dimensions (without connectors)	126.5 x 111.5 x 44 mm		
Environmental			
Temperature range	-20 to +55 °C		
Humidity	95 % max, non-condensing		
Application	Indoor, IP 40		

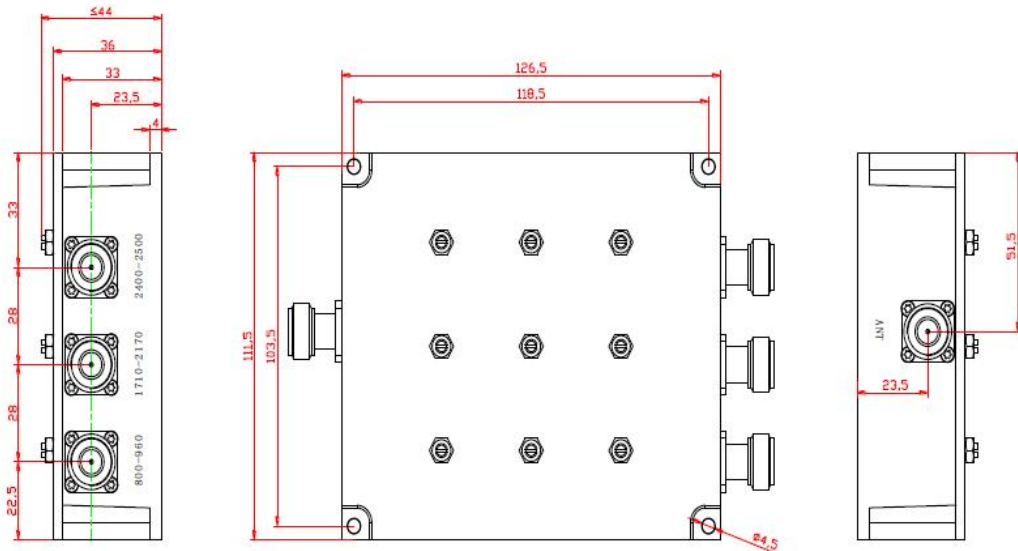
Product Picture



Schematic Diagram



Outline Drawing



Product Specifications

Type No.	XF0015A	
Electrical		
Input ports (I/P)	Port1	Port2
Frequency (MHz)	791-960	1710-2690
Insertion loss (dB)	≤ 0.3	≤ 0.5
Isolation between I/Ps (dB)	≥ 30 dB in 1710-2170 MHz ≥ 28 dB in 2500-2690 MHz	≥ 34 dB in 790-960 MHz
Return loss (dB)	≥ 18	
Impedance	50 Ω	
Input power (c.w./per port)	≤ 10 Watts	
Mechanical		
Connectors	SMA female	
Weight	≤ 0.2 kg	
Dimensions (excl. connectors)	45 x 40 x 14 mm	
Environmental		
Temperature range	-20 to +55 °C	
Humidity	95 % max, non-condensing	
Application	Indoor, IP 40	

Product Specifications

Type No.	XF1061A	
Electrical		
Input ports (I/P)	Port1	Port2
Frequency (MHz)	791-862	880-960
Insertion loss (dB)	≤ 0.4	
Isolation between I/Ps (dB)	≥ 30	
VSWR	≤ 1.3:1	
Impedance	50 Ω	
Input power (c.w./per port)	≤ 10 Watts	
Mechanical		
Connectors	SMA female	
Colors	Black (painting)	
Dimensions (excl. connectors)	126 x 90 x 44 mm	
Environmental		
Temperature range	-20 to +55 °C	
Humidity	95 % max, non-condensing	
Application	Indoor, IP 40	

Product Picture



Product Specifications

Type No.	XF1062A	
Electrical		
Input ports (I/P)	Port1	Port2
Frequency (MHz)	1710-1880	1920-2170
Insertion loss (dB)	≤ 0.4	
Isolation (dB)	≥ 30	
VSWR	≤ 1.3:1	
Impedance	50 Ω	
Input power (c.w./per port)	≤ 10 Watts	
Mechanical		
Connectors	SMA female	
Colors	Black (painting)	
Dimensions (excl. connectors)	110 x 100 x 45 mm	
Environmental		
Temperature range	-20 to +55 °C	
Humidity	95 % max, non-condensing	
Application	Indoor, IP 40	

Product Specifications

Type No.	XF1063A	
Electrical		
Input ports (I/P)	Port1	Port2
Frequency (MHz)	1920-2170	2500-2690
Insertion loss (dB)	≤ 0.5	
Isolation (dB)	≥ 40	
VSWR	≤ 1.3:1	
Impedance	50 Ω	
Input power (c.w./per port)	≤ 10 Watts	
Mechanical		
Connectors	SMA female	
Colors	Black (painting)	
Dimensions (excl. connectors)	130 x 81 x 29 mm	
Environmental		
Temperature range	-20 to +55 °C	
Humidity	95 % max, non-condensing	
Application	Indoor, IP 40	

Product Specifications

Type No.	XF1064A		
Electrical			
Input ports (I/P)	Port1	Port2	Port3
Frequency (MHz)	791-862	880-960	1920-2170
Insertion loss (dB)	≤ 0.4		
Isolation between any I/Ps (dB)	≥ 30		
VSWR	≤ 1.3:1		
Impedance	50 Ω		
Input power (c.w./per port)	≤ 10 Watts		
Mechanical			
Connectors	SMA female		
Colors	Black (painting)		
Dimensions (excl. connectors)	170 x 90 x 44 mm		
Environmental			
Temperature range	-25 to +65 °C		
Humidity	95 % max, non-condensing		
Application	Indoor, IP 40		

Product Picture



Product Specifications

Type No.	XF1065A		
Electrical			
Input ports (I/P)	Port1	Port2	Port3
Frequency (MHz)	880-960	1920-2170	2500-2690
Insertion loss (dB)	≤ 0.4		
Isolation between any I/Ps (dB)	≥ 65		
VSWR	≤ 1.3:1		
Impedance	50 Ω		
Input power (c.w./per port)	≤ 10 Watts		
Mechanical			
Connectors	SMA female		
Colors	Black (painting)		
Dimensions (excl. connectors)	111.5 x 126.5 x 44 mm		
Environmental			
Temperature range	-25 to +65 °C		
Humidity	95 % max, non-condensing		
Application	Indoor, IP 40		

XF5034N

XF5035N

XF5036N

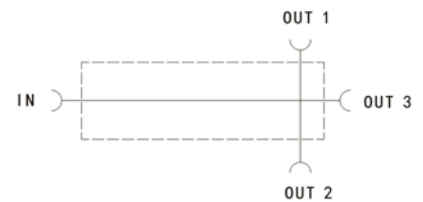
Product Specifications

Type No.	XF5034N	XF5035N	XF5036N
Electrical			
Type	Square-N 2-way	Square-N 3-way	Square-N 4-way
Frequency (MHz)	698-2690		
Insertion loss (dB)	≤ 3.3	≤ 5.2	≤ 6.3
VSWR	≤ 1.25:1	≤ 1.25:1	≤ 1.25:1
Impedance	50 Ω		
Input power (c.w./per port)	≤ 500 Watts		
PIM (3 rd order, @2×43dBm)	≤ -150 dBc		
Mechanical			
Connectors	N female		
Colors	Black (painting)		
Weight	≤ 0.17 kg	≤ 0.18 kg	≤ 0.2 kg
Dimensions (without connectors)	190x25x25 mm	200x25x25 mm	191x25x25 mm
Environmental			
Temperature range	-20 to +55 °C		
Humidity	95 % max, non-condensing		
Application	Indoor, IP 40		

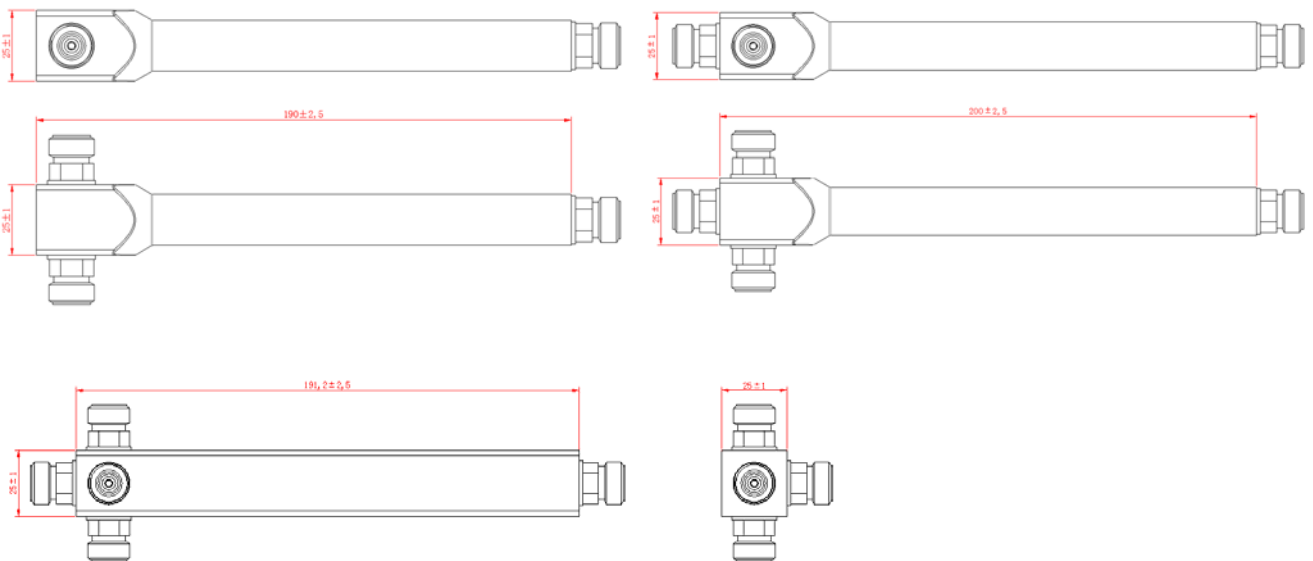
Product Picture



Schematic Diagram



Outline Drawings



XF5034D/E

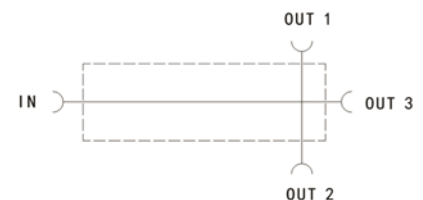
XF5035D/E

XF5036D/E

Product Specifications

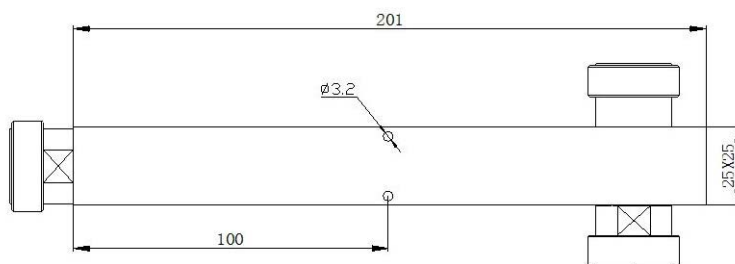
Type No.	XF5034D/E	XF5035D/E	XF5036D/E
Electrical			
Type	2-way	3-way	4-way
Frequency (MHz)	698-2690		
Insertion loss (dB)	≤ 3.3	≤ 5.2	≤ 6.3
VSWR	≤ 1.25:1	≤ 1.25:1	≤ 1.25:1
Impedance	50 Ω		
Input power (c.w./per port)	≤ 500 Watts		
PIM (3 rd order, @2×43dBm)	≤ -155 dBc		
Mechanical			
Connectors	DIN 7-16 female (D) or 4.3-10 female (E)		
Colors	Black (painting)		
Dimensions (without connectors)	201 x 25 x 25 mm		
Environmental			
Temperature range	-20 to +55 °C		
Humidity	95 % max, non-condensing		
Application	Indoor, IP 40		

Schematic Diagram



Outline Drawing

F5034D



XF5021N

XF5022N

XF5023N

XF5024N

XF5025N

XF5026N

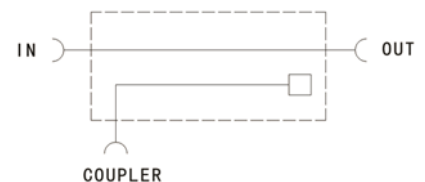
Product Specifications

Type No.	XF5021N	XF5022N	XX5023N	XF5024N	XF5025N	XF5026N
Electrical						
Frequency (MHz)	698-2690					
Coupling (dB) ¹⁾	5	6	7	10	15	20
Insertion loss (dB)	≤ 2.3	≤ 1.76	≤ 1.5	≤ 0.96	≤ 0.44	≤ 0.34
Flatness (dB)	≤ ±0.8	≤ ±0.8	≤ ±0.8	≤ ±1.0	≤ ±1.0	≤ ±1.0
Isolation (dB)	≥ 23	≥ 24	≥ 25	≥ 28	≥ 33	≥ 38
VSWR	≤ 1.25:1					
Impedance	50 Ω					
Input power c.w.	≤ 200 Watts					
PIM products	≤ -150 dBc (3 rd order, @2×43dBm)					
Mechanical						
Connectors	N female					
Colors	Black (painting)					
Weight	≤ 0.18 kg					
Dimensions	120 x 40 x 17 mm					
Environmental						
Temp. range	-20 to +55 °C					
Humidity	95 % max, non-condensing					
Application	Indoor, IP 40					

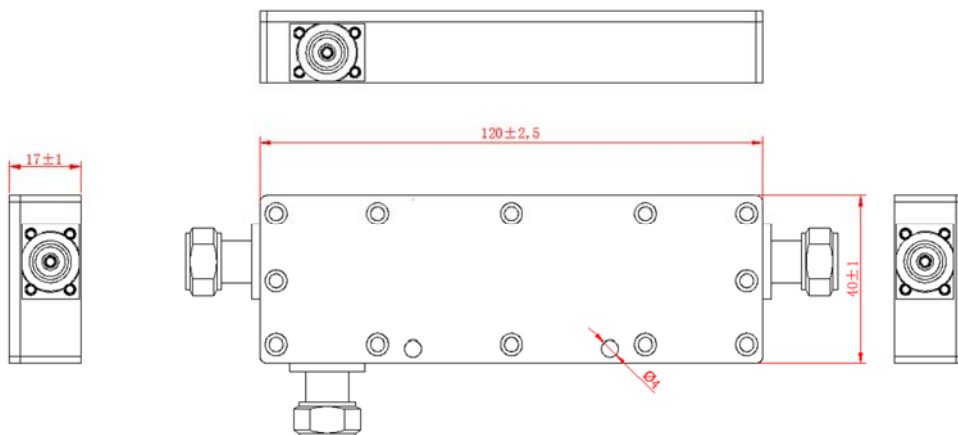
Product Picture



Schematic Diagram



Outline Drawing



XF5120D/E

XF5121D/E

XF5122D/E

XF5123D/E

XF5124D/E

Product Specifications

Type No.	XF5120D/E	XF5121D/E	XF5122D/E	XF5123D/E	XF5124D/E
Electrical					
Frequency (MHz)	698-2690				
Coupling (dB) ¹⁾	6	10	15	20	30
Insertion loss (dB)	≤ 1.7	≤ 0.7	≤ 0.4	≤ 0.2	≤ 0.2
Attenuation	± 1	± 1	± 1	± 1.2	± 1.2
Isolation (dB)	≥ 26	≥ 30	≥ 35	≥ 40	≥ 50
VSWR	≤ 1.2:1				
Impedance	50 Ω				
Input power (c.w./per port)	≤ 300 W				
PIM (3 rd order, @2×43dBm)	≤ -160 dBc (3 rd order with 2×20W)				
Mechanical					
Connectors	DIN 7-16 female (D) or 4.3-10 female (E)				
Colors	Black (painting)				
Weight	0.6 kg				
Dimensions (w/o connectors)	121.5 x 63.5 x 37.5 mm max				
Environmental					
Temperature range	-20 to +55 °C				
Application	Outdoor, IP 65				

Product Picture

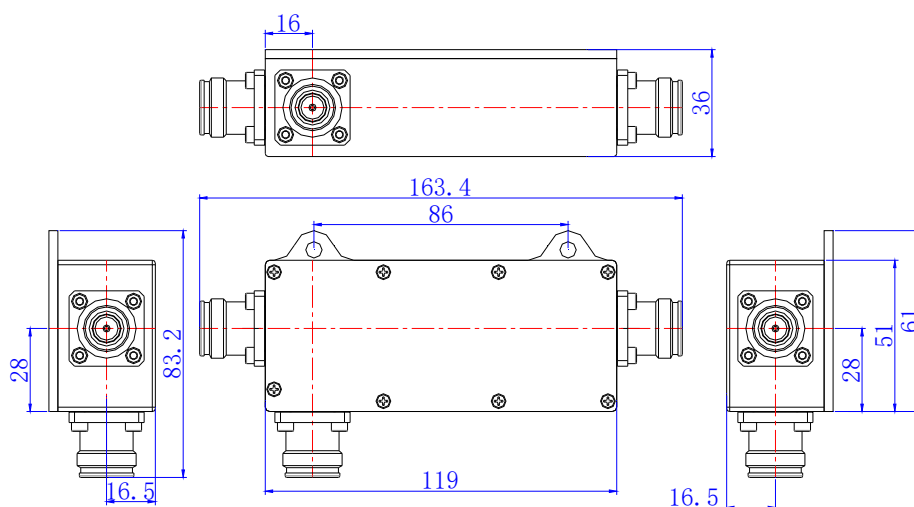


Schematic Diagram



Notes: 1) Other coupling values possible at request

Outline Drawing



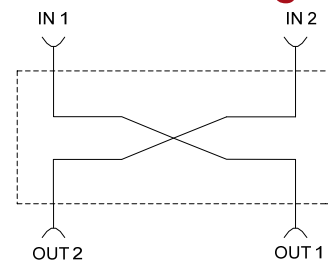
Product Specifications

Type No.	XF5029N		
Electrical			
Input ports (I/P)	2		
Output ports (O/P)	2		
Frequency (MHz)	698-2500	2500-2690	
Insertion loss (dB)	any I/P to any O/P	≤ 3.5	≤ 3.6
Isolation (dB)	between I/Ps	≥ 25	
VSWR	≤ 1.3:1		
Impedance	50 Ω		
Input power (c.w./per port)	≤ 200 Watts		
PIM (3 rd order, @2×43dBm)	≤ -150 dBc		
Mechanical			
Connectors	N female		
Colors	Black (painting)		
Weight	≤ 0.4 kg		
Dimensions	126 x 24.2 x 22.3 mm		
Environmental			
Temperature range	-20 to +55 °C		
Humidity	95 % max, non-condensing		
Application	Indoor, IP 40		

Product Picture



Schematic Diagram

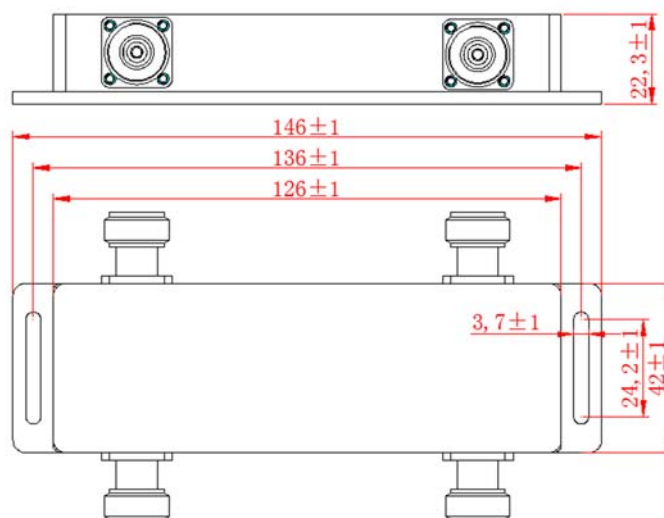


Options

F5029N3

3dB Hybrid Coupler, 2:1, 698-2690 MHz (OUT 2 port is 50 Ohm/5W loaded internally)

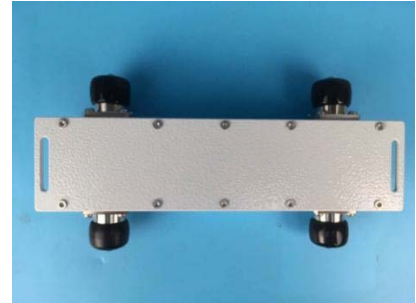
Outline Drawing



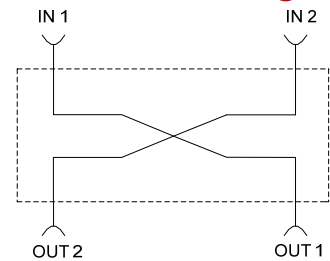
Product Specifications

Type No.	XF5144D/E	
Electrical		
Input ports (I/P)	2	
Output ports (O/P)	2	
Frequency (MHz)	698-2690	
Insertion loss (dB)	any I/P to any O/P	≤ 3.5
Isolation (dB)	between I/Ps	≥ 30
VSWR	≤ 1.2:1	
Impedance	50 Ω	
Input power (c.w./per port)	≤ 300 W	
PIM (3 rd order, @2×43dBm)	≤ -160 dBc	
DC- pass	IN1 to OUT1 & IN2 to OUT2	
Mechanical		
Connectors	DIN 7-16 female (D) or 4.3-10 female (E)	
Colors	Grey, RAL 7035	
Dimensions (w/o connector)	192 x 48 x 39 mm	
Weight(kg)	≤ 0.8 kg	
Environmental		
Temperature range	-20 to +55 °C	
Application	Outdoor (IP 65)	

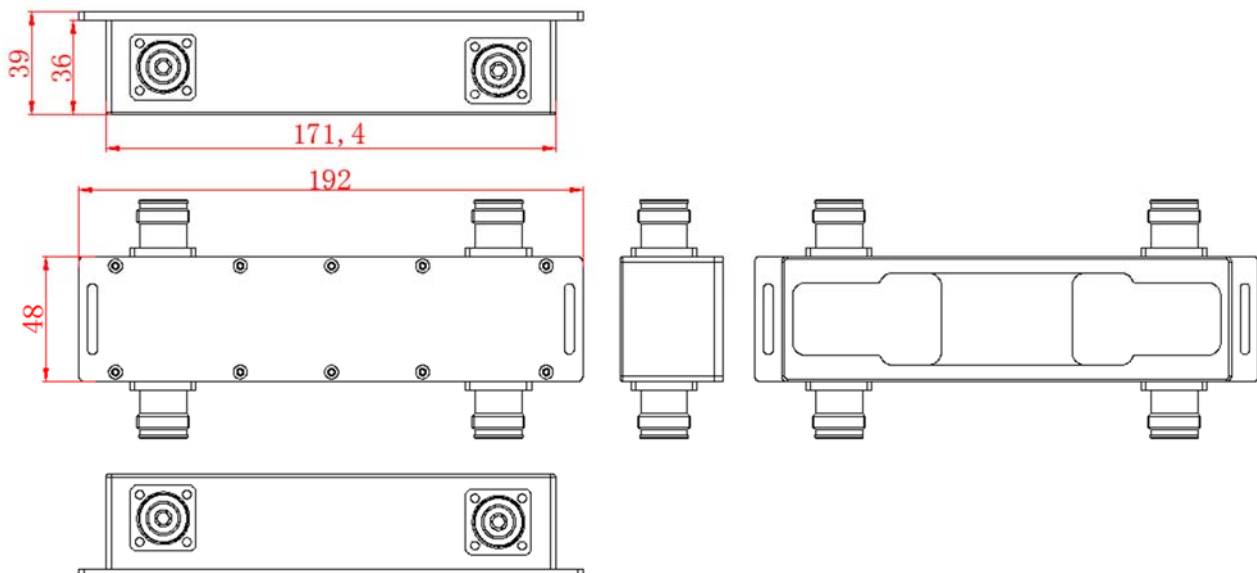
Product Picture



Schematic Diagram



Outline Drawing



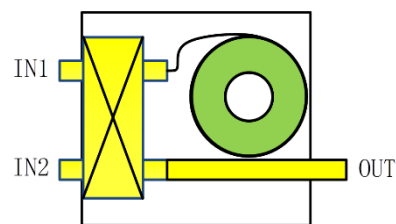
Product Specifications

Type No.		XF5018D/E
Electrical		
Input ports (I/P)		2
Output port (OUT)		1
Frequency (MHz)		698-2690
Insertion loss (dB)	any I/P to OUT	≤ 3.5
Isolation (dB)	between I/Ps	≥ 30
VSWR		≤ 1.2:1
Impedance		50 Ω
Input power (c.w./per port)		≤ 100 W
PIM (3 rd order, @2×43dBm)		≤ -160 dBc
Mechanical		
Connectors		7-16 female (D) or 4.3-10 female (E)
Colors		Grey, RAL 7035
Weight		3.43 kg
Dimensions (without connectors and brackets)		185 x 170 x 69 mm
Environmental		
Temperature range		-20 to +55 °C
Application		Outdoor (IP 67)

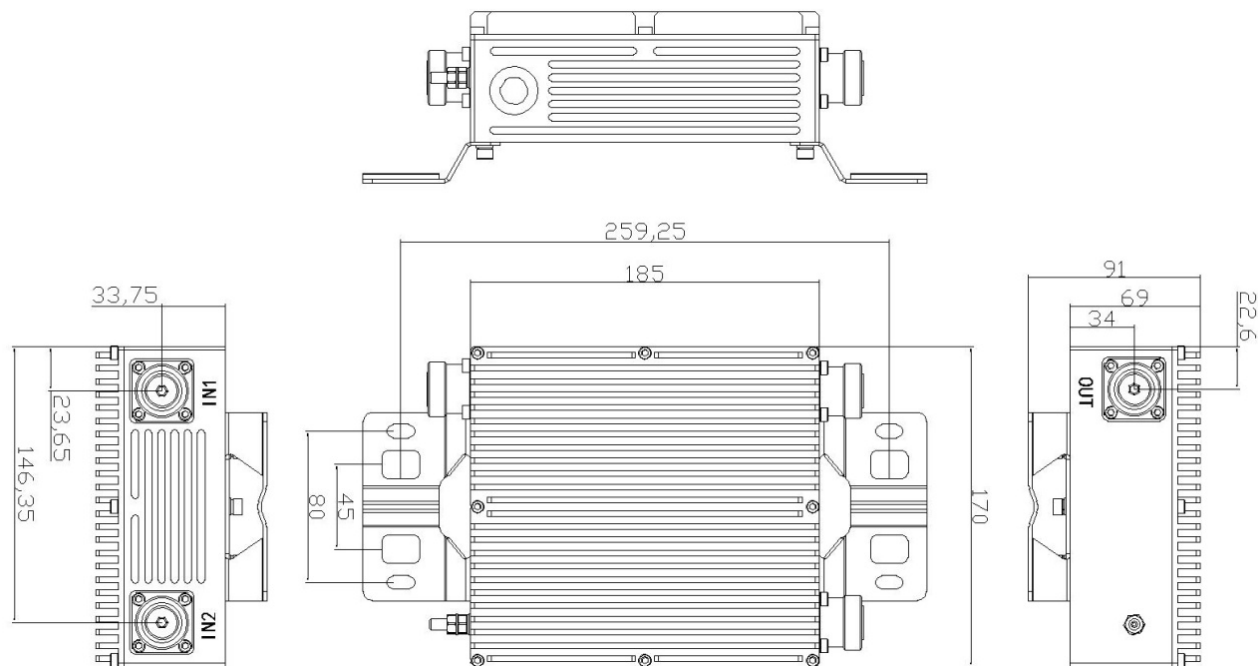
Product Picture



Schematic Diagram



Outline Drawing



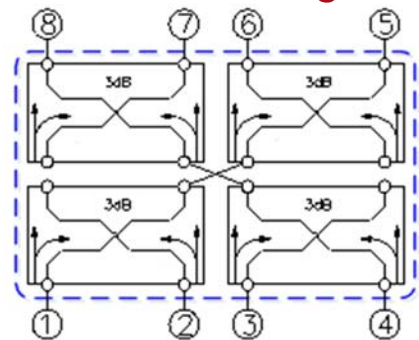
Product Specifications

Type No.		XF5159D/E
Electrical		
Input ports (I/P)		4
Output ports (O/P)		4
Frequency (MHz)		698-2690
Insertion loss (dB)	any I/P to any O/P	≤ 6.9
Isolation (dB)	between any I/Ps	≥ 30
VSWR		≤ 1.25:1
Impedance		50 Ω
Input power (c.w./per port)		≤ 300 W
PIM (3 rd order, @2×43dBm)		≤ -160 dBc
Mechanical		
Connectors		7-16 female (D) or 4.3-10 female (E)
Colors		Grey, RAL 7035 (powdering)
Weight		≤ 2.5 kg
Dimensions (without connectors and brackets)		237 x 98.4 x 67.4 mm
Environmental		
Temperature range		-20 to +55 °C
Application		Outdoor, IP 67

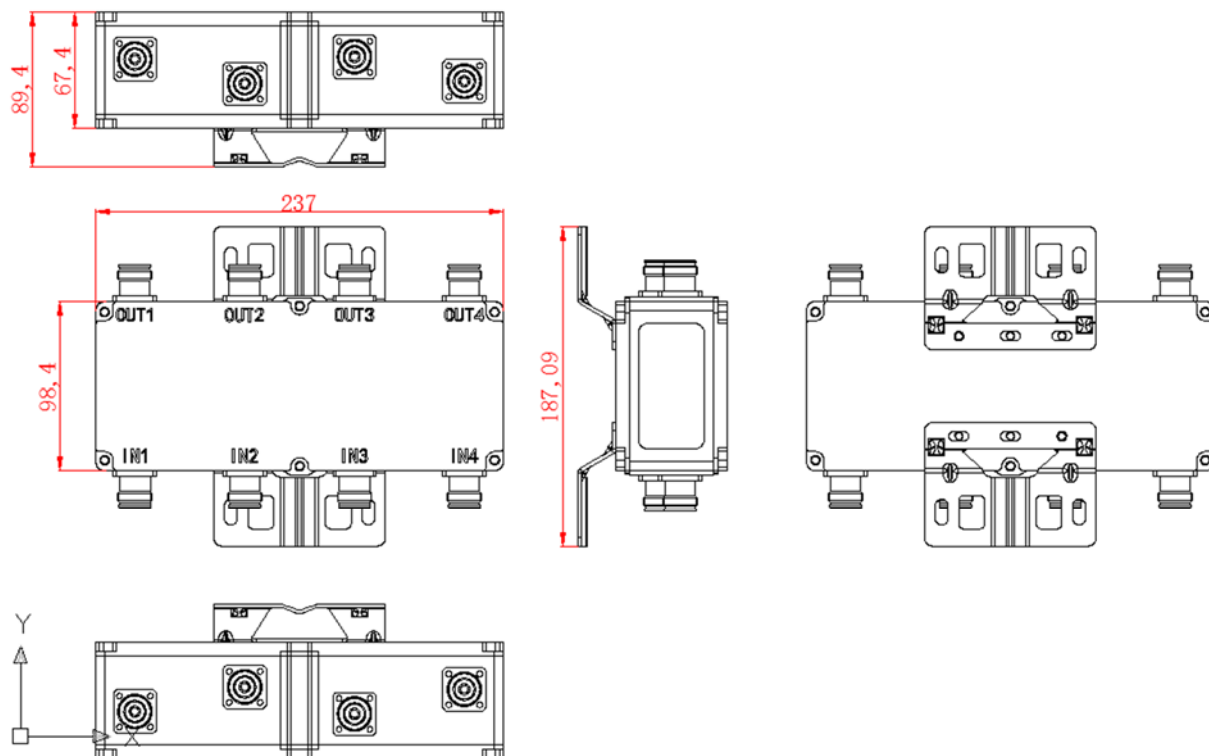
Product Picture



Schematic Diagram



Outline Drawing



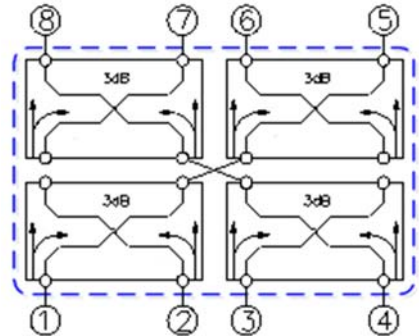
Product Specifications

Type No.		XF5012D/E
Electrical		
Input ports (I/P)		4
Output ports (O/P)		4
Frequency (MHz)		698-2690
Insertion loss (dB)	any I/P to any O/P	≤ 6.9
Isolation (dB)	between any I/Ps	≥ 25
VSWR		≤ 1.25:1
Impedance		50 Ω
Input power (c.w./per port)		≤ 300 W
PIM (3 rd order, @2×43dBm)		≤ -160 dBc
Mechanical		
Connectors		7-16 female (D) or 4.3-10 female (E)
Colors		Grey, RAL 7035 (powdering)
Weight		≤ 2.4 kg
Dimensions (without connectors and brackets)		220 x 95 x 62 mm
Environmental		
Temperature range		-45 to +75 °C
Application		Outdoor, IP 65

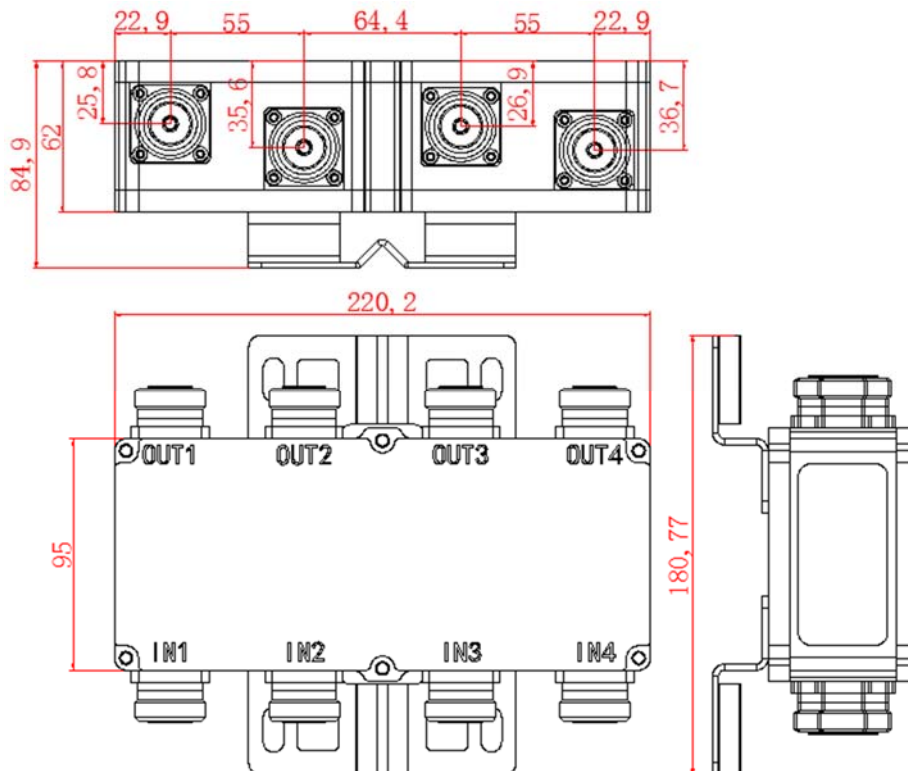
Product Picture



Schematic Diagram



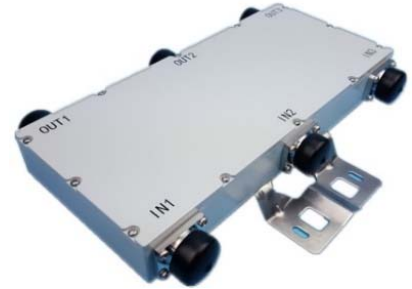
Outline Drawing



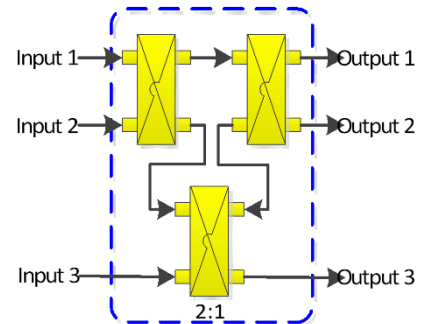
Product Specifications

Type No	XF5093D/E	
Electrical		
Input ports	3	
Output ports	3	
Frequency (MHz)	698-2690	
Insertion loss (dB)	any I/P to any O/P	≤ 5.8
Isolation (dB)	between any I/Ps	≥ 30
VSWR	≤ 1.25:1	
Impedance	50 Ω	
Input power (c.w./per port)	≤ 300 Watts	
PIM (3 rd order, @2×43dBm)	≤ -160 dBc	
Mechanical		
Connectors	7-16 female (D) or 4.3-10 female (E)	
Colors	Grey, RAL 7035 (powdering)	
Weight	≤ 2.2 kg	
Dimensions (w/o connectors and brackets)	300 x 136 x 37 mm	
Environmental		
Temperature range	-20 to +55 °C	
Application	Outdoor, IP 65	

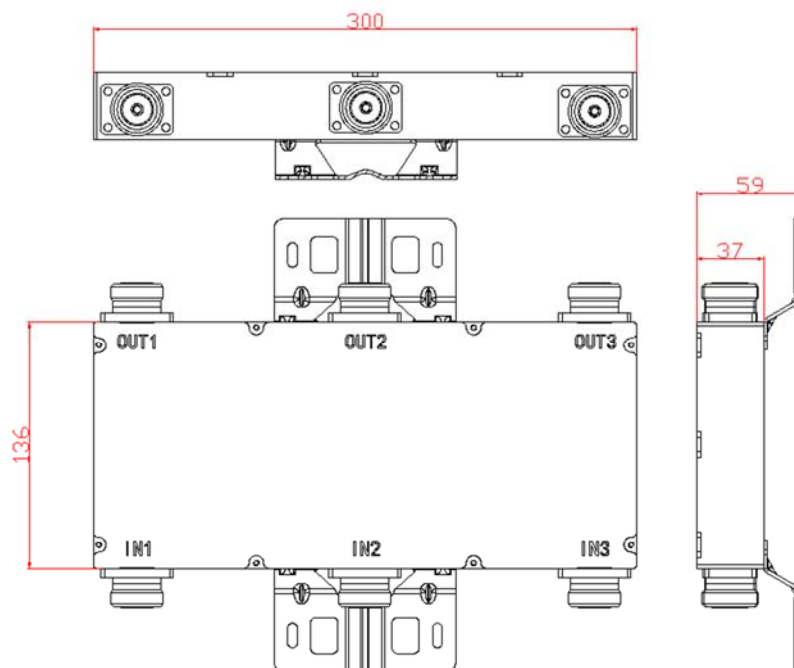
Product Picture



Schematic Diagram



Outline Drawing



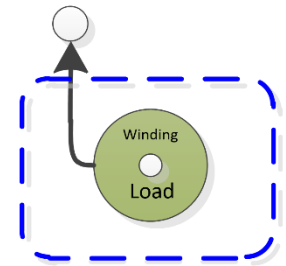
Product Specifications

Type No.	XF1098D/EM2
Electrical	
Frequency (MHz)	380-3000
VSWR	≤ 1.2:1
Impedance	50 Ω
Input power, c.w.	≤ 100 Watts
PIM (3 rd order, @2×43dBm)	≤ -165 dBc
Mechanical	
Connectors	DIN 7-16 female (D) or 4.3-10 female (E)
Colors	Black (painting)
Weight	≤ 4.5 kg
Dimensions	178 x 201 x 85 mm max
Environmental	
Temperature range	-20 to +55 °C
Application	Outdoor, IP 65

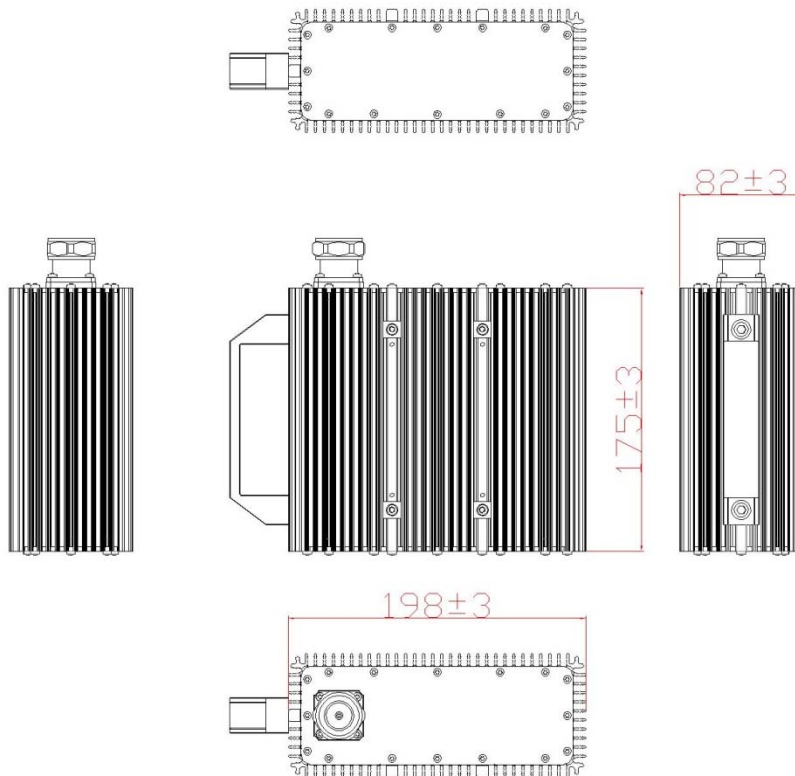
Product Picture



Schematic Diagram



Outline Drawing



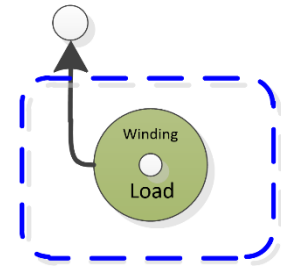
Product Specifications

Type No.	XF1098D/EM3
Electrical	
Frequency (MHz)	380-3000
VSWR	≤ 1.2:1
Impedance	50 Ω
Input power (c.w./per port)	≤ 200 Watts
PIM (3 rd order, @2×43dBm)	≤ -165 dBc
Mechanical	
Connectors	DIN 7-16 female (D) or 4.3-10 female (E)
Colors	Black (painting)
Weight	≤ 5.6 kg
Dimensions	223 x 201 x 85 mm max
Environmental	
Temperature range	-20 to +55 °C
Application	Outdoor, IP 65

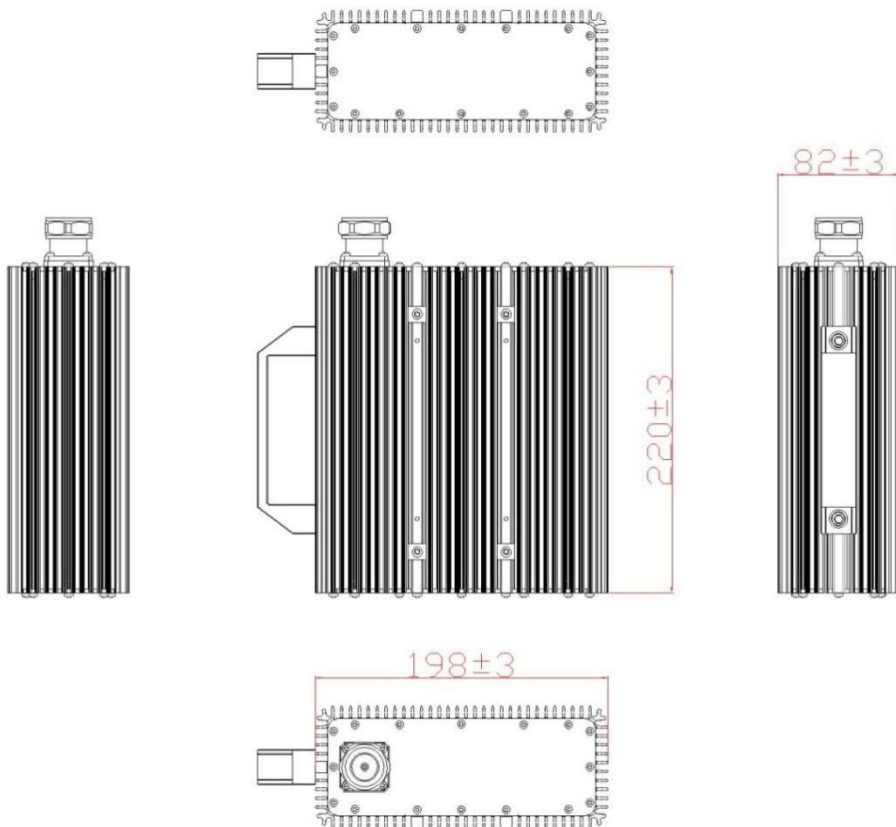
Product Picture



Schematic Diagram



Outline Drawing



Product Specifications

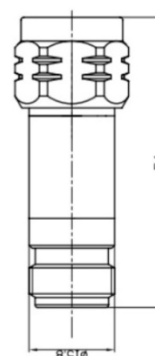
Type No.	XF1150-xx		
Electrical			
Frequency (GHz)	DC - 3		
VSWR	≤ 1.2:1		
Attenuation (dB) ¹⁾	1-10	11-20	21-30
Tolerance (dB)	± 0.5	± 0.7	± 1.0
Input power, c.w.	≤ 2 Watts		
Impedance	50 Ω		
Mechanical			
Connectors	N male / N female		
Length (mm)	54		
Weight (g)	≤ 100 g		
Environmental			
Temperature range	-40 to +80 °C		

Notes: 1) Attenuation value is specified by the suffix -xx

Product Picture



Outline Drawing



Product Specifications

Type No.	XF1098NM
Electrical	
Frequency (GHz)	DC - 3
VSWR	≤ 1.2:1
Input power, c.w.	≤ 2 Watts
Impedance	50 Ω
Mechanical	
Connector	N male
Length (mm)	36
Weight (g)	≤ 100 g
Environmental	
Temperature range	-40 to +80 °C

Product Picture



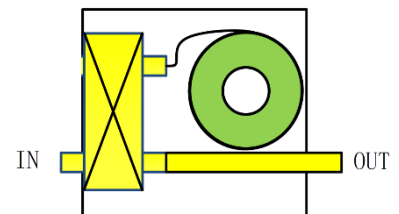
Product Specifications

Type No.		XF1180D/Ey-xx	
Electrical			
Frequency (MHz)		698-2690	
Attenuation (dB)	xx	5 / 6 / 7	10 / 15 / 20
Flatness (dB)		± 0.8	± 1.0
VSWR		≤ 1.2:1	
Impedance		50 Ω	
Input power (c.w./per port)	y=1	≤ 50 W	
	y=2	≤ 100 W	
PIM (3 rd order, @2×43dBm)		≤ -160 dBc	
Mechanical			
Connectors		7-16 female (D) or 4.3-10 female (E)	
Colors		Grey, RAL 7035	
Dimensions (without connectors and brackets)		tbd	
Environmental			
Temperature range		-20 to +55 °C	
Application		Outdoor (IP 67)	

Product Picture



Schematic Diagram







RCD Radiokomunikace spol. s r. o.

U Pošty 26, 533 52 Staré Hradiště – Pardubice

Czech Republic

phone: +420 466 415 755

fax: +420 466 415 376

e-mail: sales@rcd.cz

<http://www.rcd.cz>