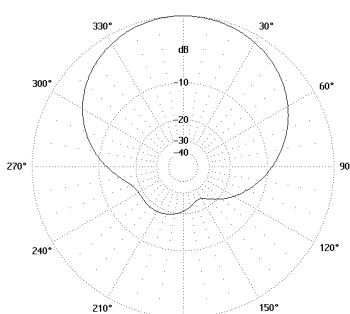


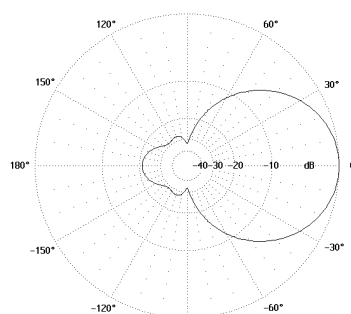


Description

BD 310 directional base antenna is designed for mobile and data radio networks.



Radiation pattern – H plane



Radiation pattern – E plane

Technical Specifications

Type	BD 310	
Frequency range	MHz	380 ÷ 400
Type of antenna		YAGI
Gain	dBi	8.5
Radiation pattern		directional
Beamwidth – H plane	°	100
Beamwidth – E plane	°	58
Front-to-back ratio	dB	20 ÷ 26
Polarization		vertical
Impedance	Ω	50
VSWR		< 1.5
Maximum input power	W	150
Grounding		all metal parts of antenna including mounting kit are DC grounded
Material of antenna		aluminium alloy, hot-dip zinc steel, fiberglass
Antenna holder (2 pcs)	mm	RCAF 300 126 – Ø 44 ÷ 76
Material of holder		aluminium alloy, hot-dip zinc steel; all screws and nuts: stainless steel
Weight of antenna / holders	kg	4.6 / 1.6 + 1.6
Maximum wind velocity	km/h	160
Wind load (at 160 km/h)	N	360
Dimensions l × h	mm	610 × 500
Connector type		N or 7/16 – female
Radiation patterns code		H-plane 050EA10 / E-plane 030EA08