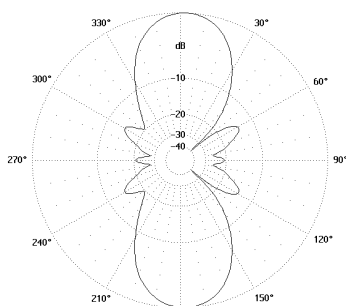


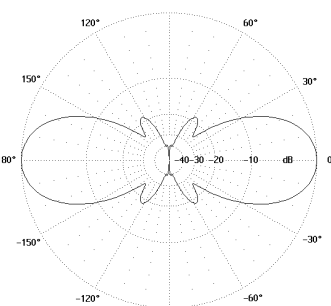


Description

BD 420 bidirectional base antenna is designed for mobile and data radio networks.



Vyžařovací diagram v rovině H



Vyžařovací diagram v rovině E

Technical Specifications

Type		BD 420
Frequency range	MHz	457 ÷ 469
Type of antenna		YAGI
Gain	dBi	10,5
Radiation pattern		bidirectional (0°, 180°)
Beamwidth – H plane	°	43
Beamwidth – E plane	°	37
Polarization		vertical
Impedance	Ω	50
VSWR		< 1.5
Maximum input power	W	100
Grounding		all metal parts of antenna including mounting kit are DC grounded
Material of antenna		lacquered aluminium alloy, plastic, stainless steel
Antenna holder	mm	RCAK 400 44 – Ø 60 ÷ 90 (standard)
Material of holder		aluminium alloy, hot-dip zinc steel; all screws and nuts: stainless steel
Weight of antenna / holder	kg	2.4 / 0.6
Maximum wind velocity	km/h	160
Wind load (at 160 km/h)	N	107
Dimensions l × h	mm	2372 × 616
Connector type		N female