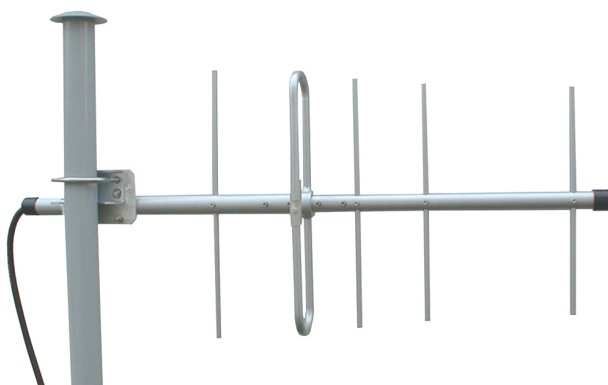
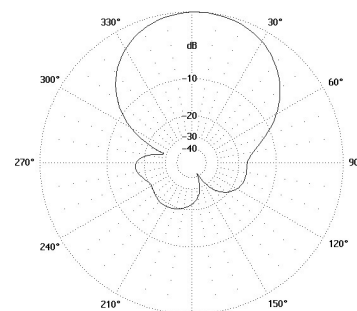


BD 311

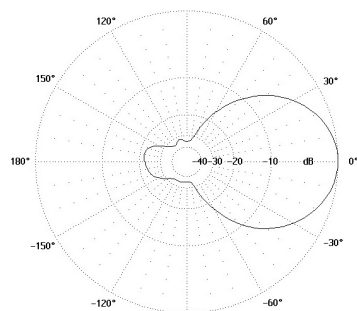


TECHNICAL SPECIFICATION

Type	BD 311	
Frequency range	MHz	380 ÷ 395
Technical solution	YAGI	
Gain	dBi	9
Radiation pattern	directional	
Beamwidth H plane	°	80 ÷ 87
Beamwidth E plane	°	54 ÷ 60
Front-to-back ratio	dB	18 ÷ 27
Polarization	vertical	
Impedance	Ω	50
VSWR	< 1.5	
Max. input power	W	200
Grounding	All metal parts of antenna including the mounting kit are DC grounded	
Material antenna	lacquered aluminium alloy, plastic, stainless steel	
Antenna holder	mm	RCAK 400 52 – Ø 35 ÷ 76 (standard)
		RCAK 400 44 – Ø 60 ÷ 90
		RCK 100 001 – Ø 90 ÷ 120
Material holder	aluminium alloy, hot dip zinc steel, all screws and nuts: stainless steel	
Weight antenna / holder	kg	1.4 / 0.5
Max. wind velocity	km / hour	160
Max. wind load (at 160 km / hour)	N	55
Dimensions of antenna l x h	mm	840 x 387
Termination	type „N“ - female	



Radiation pattern – H plane



Radiation pattern – E plane