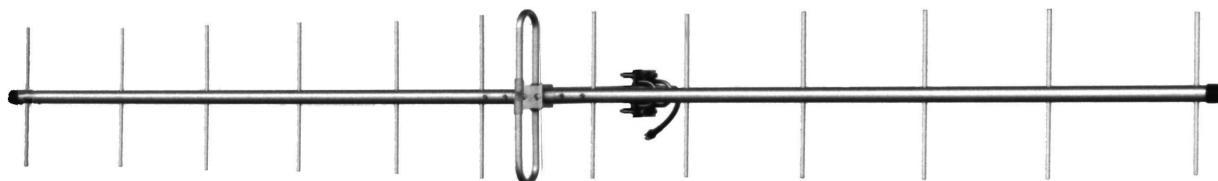
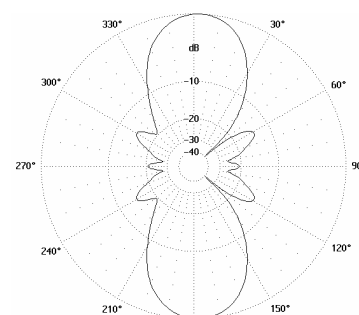


BD 420

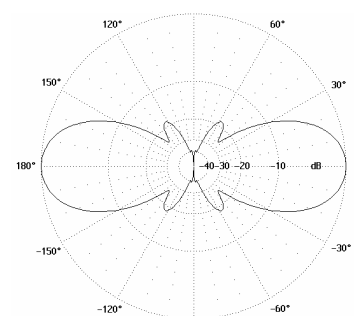


TECHNICAL SPECIFICATION

Type	BD 420	
Frequency range	MHz	457 ÷ 469
Technical solution		YAGI
Gain	dBi	10.5
Radiation pattern		bidirectional (0°; 180°)
Beamwidth H plane	°	43
Beamwidth E plane	°	37
Polarization		vertical
Impedance	Ω	50
VSWR		< 1.5
Max. input power	W	100
Grounding		All metal parts of antenna including the mounting kit are DC grounded
Material antenna		lacquered aluminium alloy, plastic, stainless steel
Antenna holder	mm	RCAK 400 44 – \varnothing 60 ÷ 90 (standard)
Material holder		aluminium alloy, hot dip zinc steel, all screws and nuts: stainless steel
Weight antenna / holder	kg	2.4 / 0.6
Max. wind velocity	km / hour	160
Max. wind load (at 160 km / hour)	N	107
Dimensions of antenna l x h	mm	2372 x 616
Connector		type „N” - female



Radiation pattern – H plane



Radiation pattern – E plane